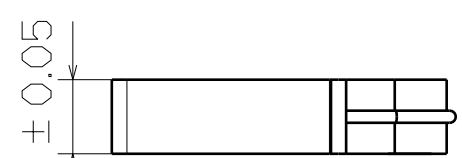
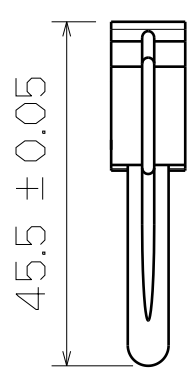


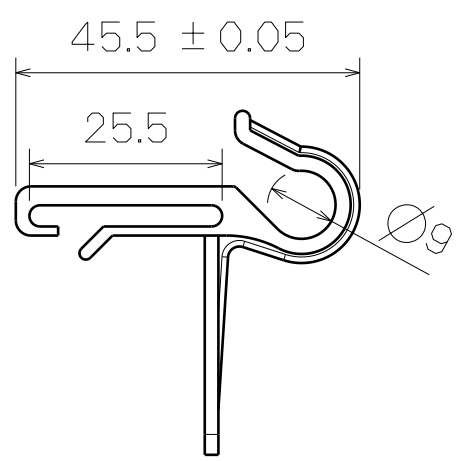
3D View



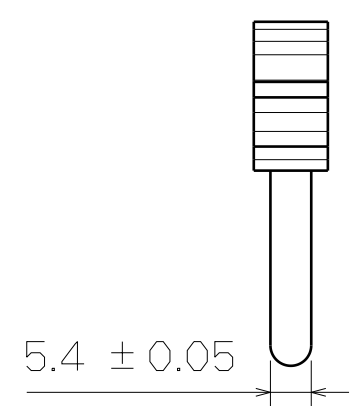
Top View



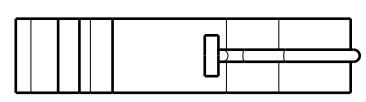
Right View



SF333



Left View



Bottom View

This drawing is our property.
It can't be reproduced
or communicated without
our written agreement.



DRAWN BY		DATE		DRAWING TITLE			
DANIEL CHEN		1999/1/5		HOOK			
CHECKED BY		DATE		SIZE	DRAWING NUMBER		REV
JIMMY CHEN		1999/1/7		A3	SF333		X
DESIGNED BY		DATE		SCALE	MATERIAL	SHEET	
RD		1999/1		1:1	NYLON	1/1	