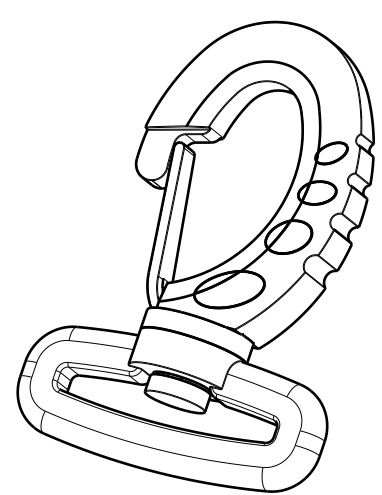
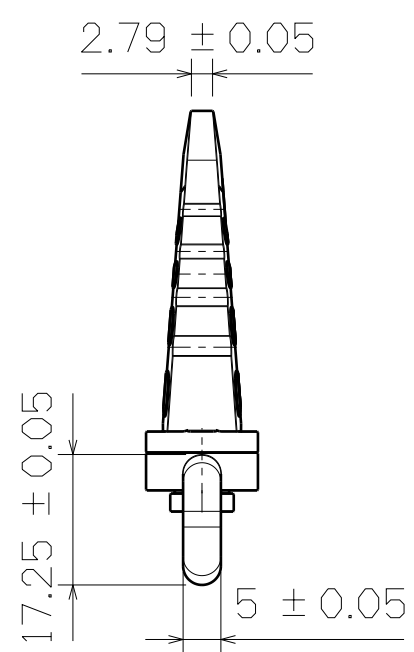


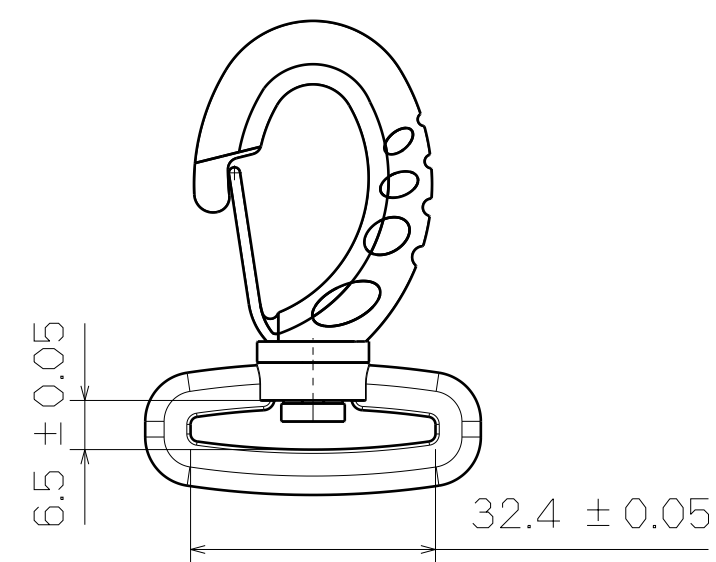
Top View



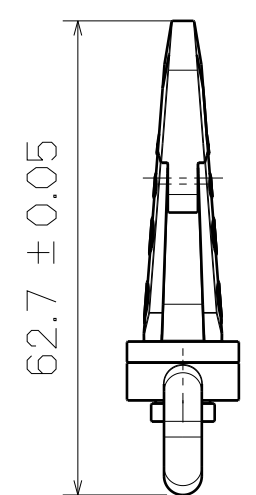
3D View



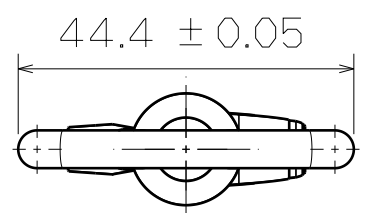
Right View



SF332-32mm



Left View



Bottom View

This drawing is our property.
It can't be reproduced
or communicated without
our written agreement.



**SHIN FANG PLASTIC
INDUSTRIAL CO., LTD.**

DRAWN BY		DATE		DRAWING TITLE			
DANIEL CHEN		1998/6/2		SWIVEL HOOK			
CHECKED BY		DATE		SIZE	DRAWING NUMBER		REV
JIMMY CHEN		1998/6/5		A3	SF332-32MM		X
DESIGNED BY		DATE		SCALE	1:1	MATERIAL	POM
RD		1998/6		SHEET	1/1		