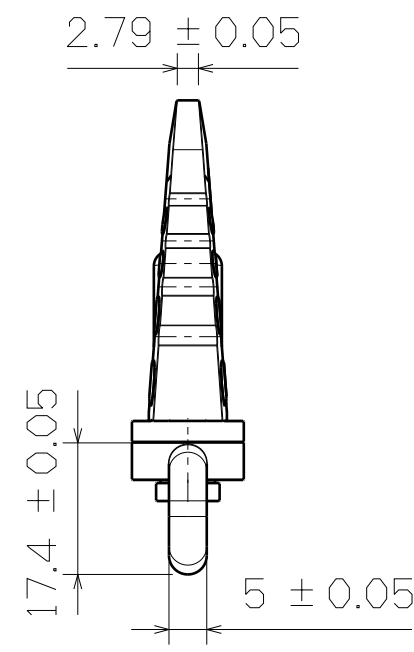
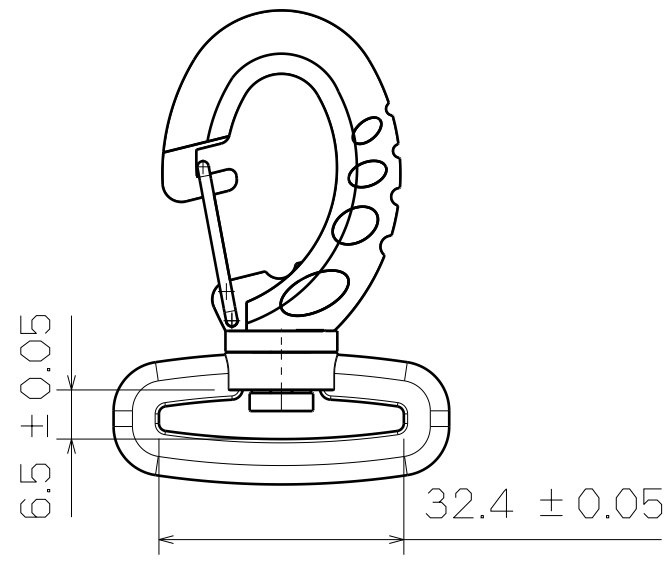


Top View

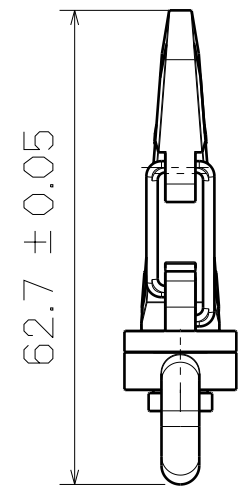
3D View



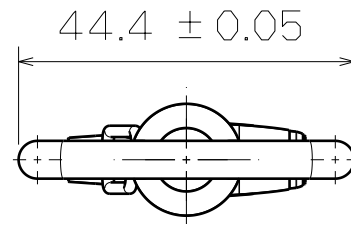
Right View



SF331TC-32mm



Left View



Bottom View

This drawing is our property. It can't be reproduced or communicated without our written agreement.

 **SHIN FANG PLASTIC INDUSTRIAL CO., LTD.**

DRAWN BY		DATE		DRAWING TITLE			
DANIEL CHEN		1998/5/11		TWO COLORS SWIVEL HOOK			
CHECKED BY		DATE		SIZE	DRAWING NUMBER		REV
JIMMY CHEN		1998/5/13		A3	SF331TC-32MM		X
DESIGNED BY		DATE		SCALE	1:1	MATERIAL	POM
RD		1998/5				SHEET	1/1