

H G F E D C B A

4

4

3

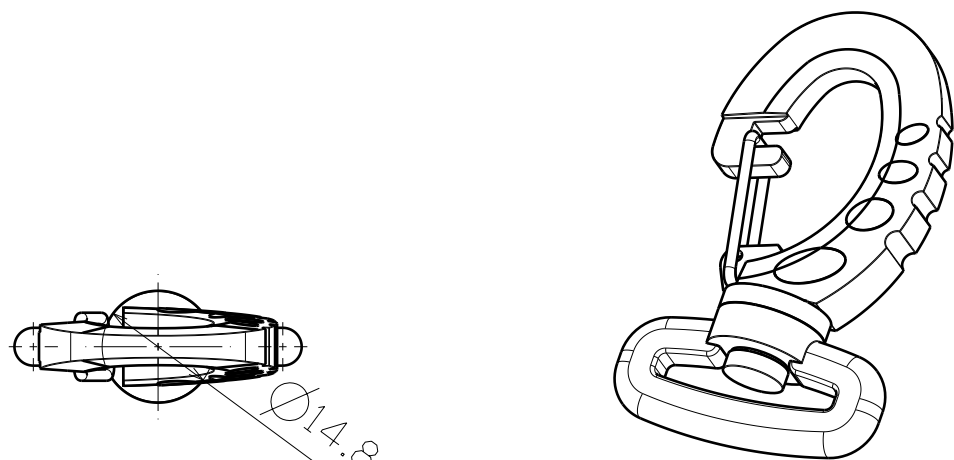
3

2

2

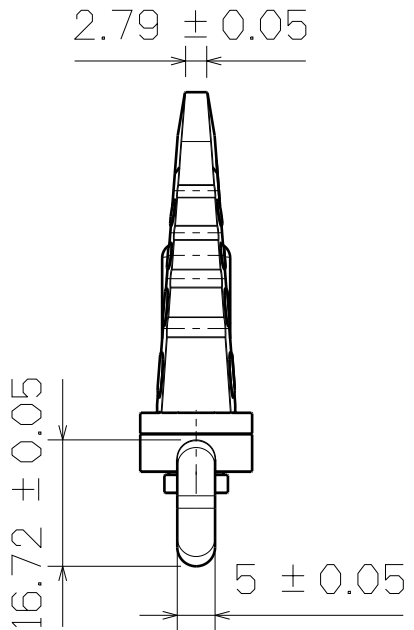
1

1

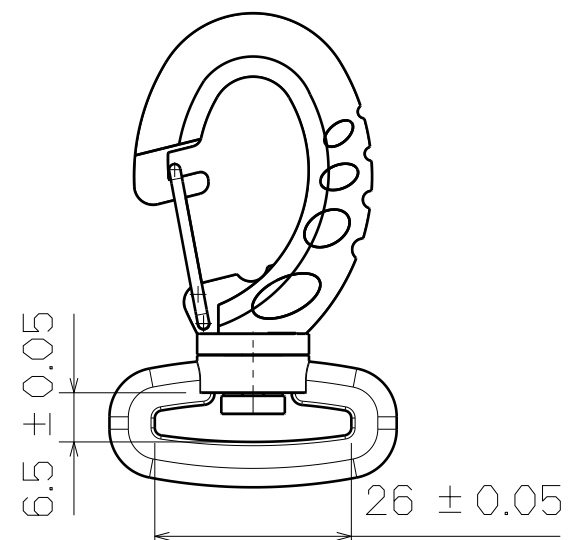


Top View

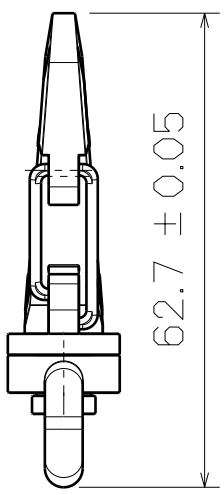
3D View



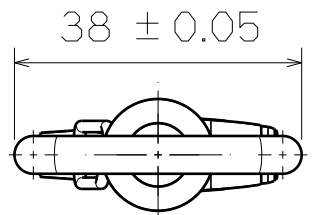
Right View



SF331TC-25mm



Left View



Bottom View

This drawing is our property.
It can't be reproduced
or communicated without
our written agreement.



**SHIN FANG PLASTIC
INDUSTRIAL CO., LTD.**

DRAWN BY	DATE
DANIEL CHEN	1998/5/8
CHECKED BY	DATE
JIMMY CHEN	1998/5/9
DESIGNED BY	DATE
RD	1998/5

DRAWING TITLE			
TWO COLORS SWIVEL HOOK			
SIZE	DRAWING NUMBER	REV	
A3	SF331TC-25MM	X	
SCALE	1:1	MATERIAL	POM
		SHEET	1/1

H G B A