

H G F E D C B A

4

3

2

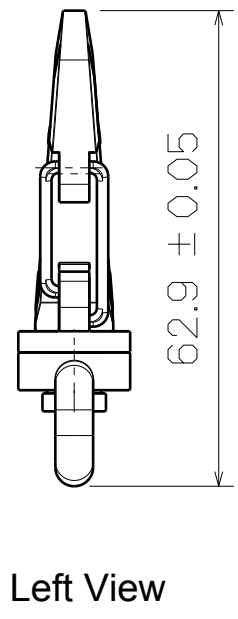
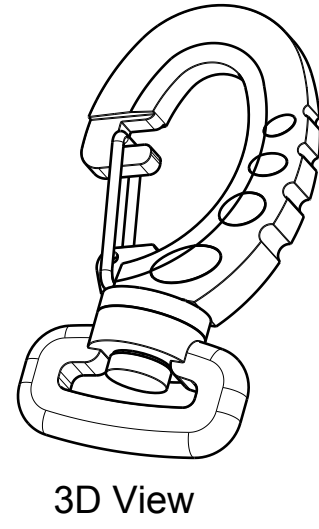
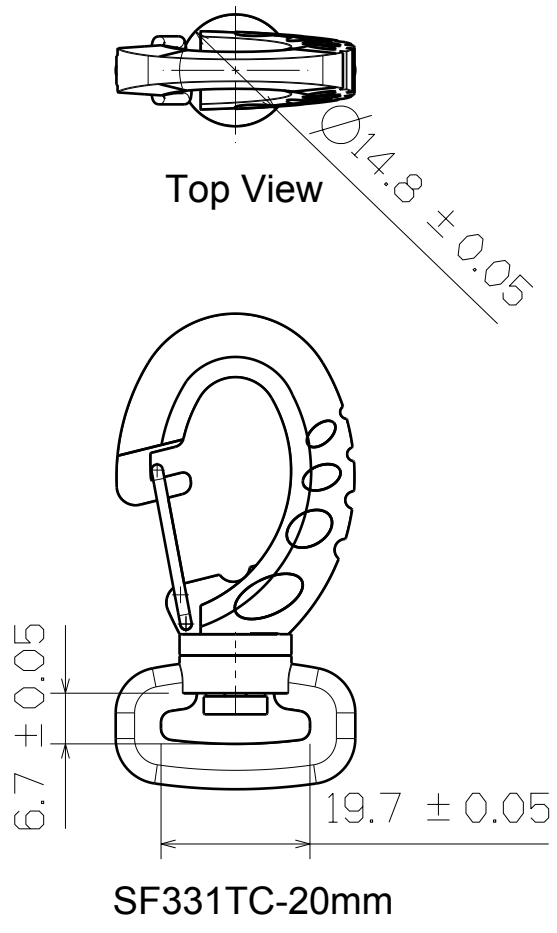
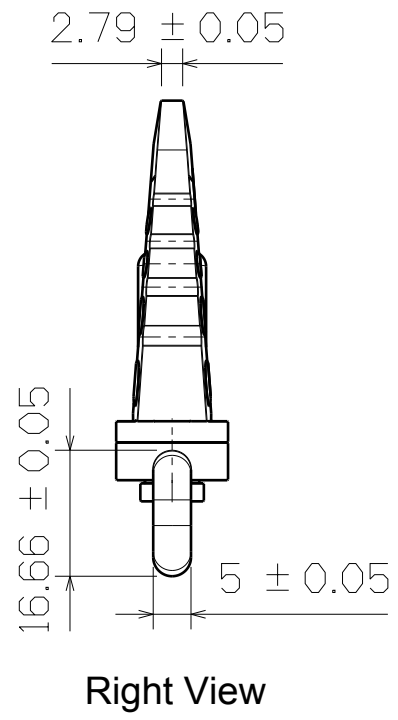
1

4

3

2

1



This drawing is our property.  
It can't be reproduced  
or communicated without  
our written agreement.



**SHIN FANG PLASTIC  
INDUSTRIAL CO., LTD.**

DRAWN BY	DATE
DANIEL CHEN	1998/5/3
CHECKED BY	DATE
JIMMY CHEN	1998/5/6
DESIGNED BY	DATE
RD	1998/5

DRAWING TITLE			
TWO COLORS SWIVEL HOOK			
SIZE	DRAWING NUMBER	REV	
A3	SF331TC-20MM	X	
SCALE	1:1	MATERIAL	POM
SHEET		1/1	

H G B A