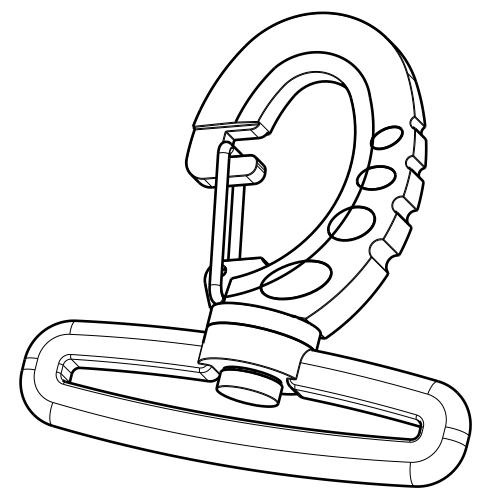
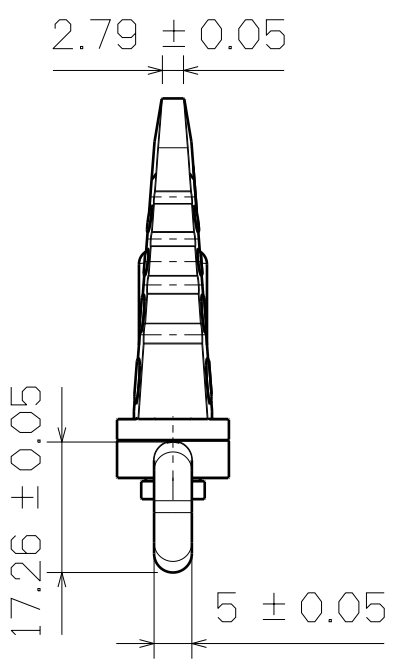


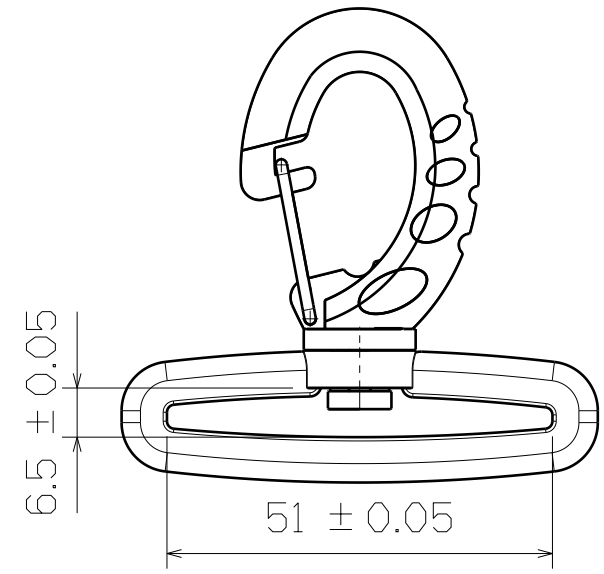
Top View



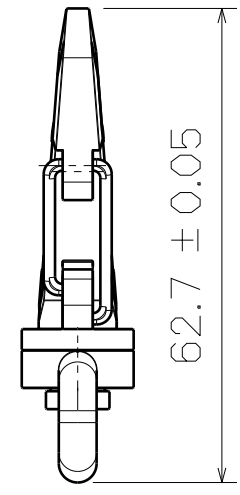
3D View



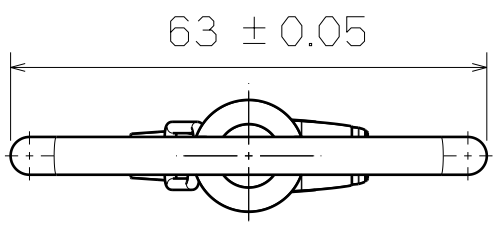
Right View



SF331-51mm



Left View



Bottom View

This drawing is our property.
It can't be reproduced
or communicated without
our written agreement.



**SHIN FANG PLASTIC
INDUSTRIAL CO., LTD.**

DRAWING TITLE

SWIVEL HOOK

DRAWN BY DANIEL CHEN		DATE 1996/6/8		SIZE A3			DRAWING NUMBER SF331-51MM		REV X
CHECKED BY JIMMY CHEN		DATE 1996/6/9		SCALE 1:1		MATERIAL POM	SHEET 1/1		
DESIGNED BY RD		DATE 1996/6							