

H G F E D C B A

4

4

3

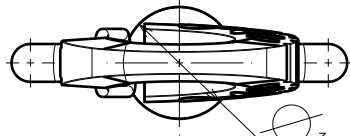
3

2

2

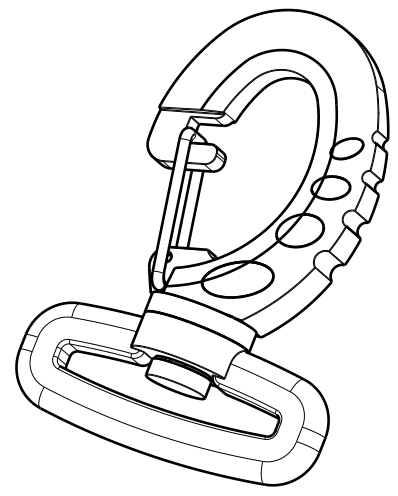
1

1



Top View

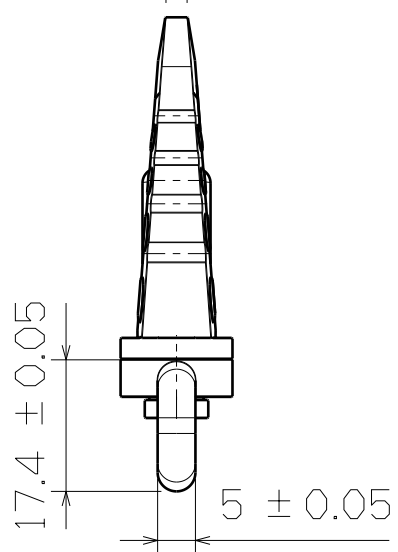
$\varnothing 14.8 \pm 0.05$



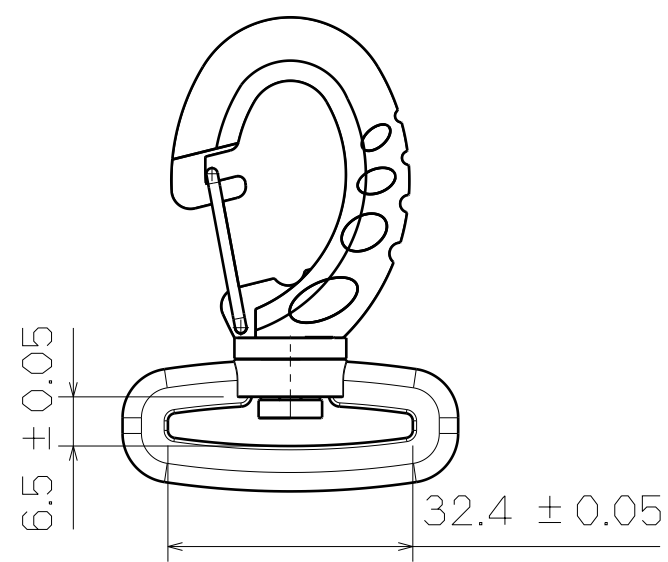
3D View



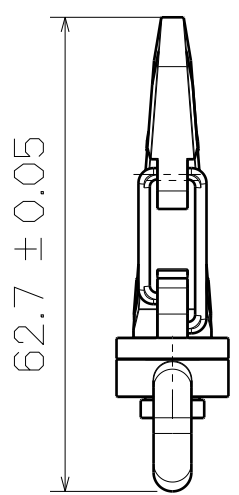
2.79 ± 0.05



Right View



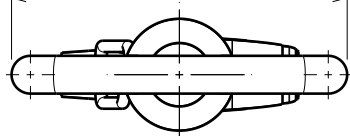
SF331-32mm



Left View

62.7 ± 0.05

44.4 ± 0.05



Bottom View

This drawing is our property.
It can't be reproduced
or communicated without
our written agreement.



**SHIN FANG PLASTIC
INDUSTRIAL CO., LTD.**

DRAWING TITLE

SWIVEL HOOK

DRAWN BY	DATE
DANIEL CHEN	1996/6/3
CHECKED BY	DATE
JIMMY CHEN	1996/6/6
DESIGNED BY	DATE
RD	1996/6

SIZE	DRAWING NUMBER	REV
A3	SF331-32MM	X
SCALE	1:1	MATERIAL
		POM
SHEET	1/1	

H G B A