

H G F E D C B A

4

4

3

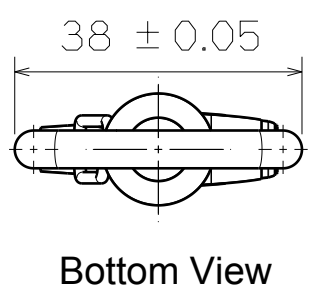
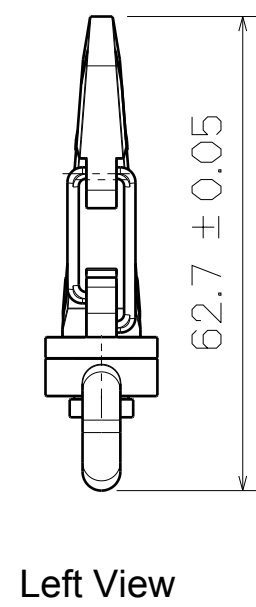
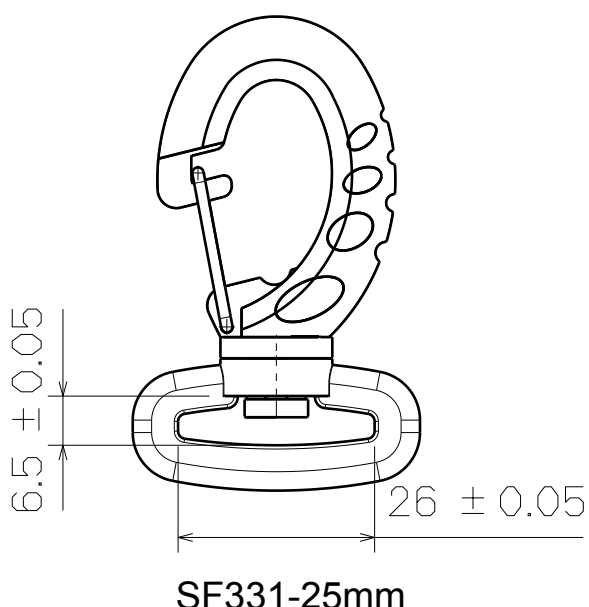
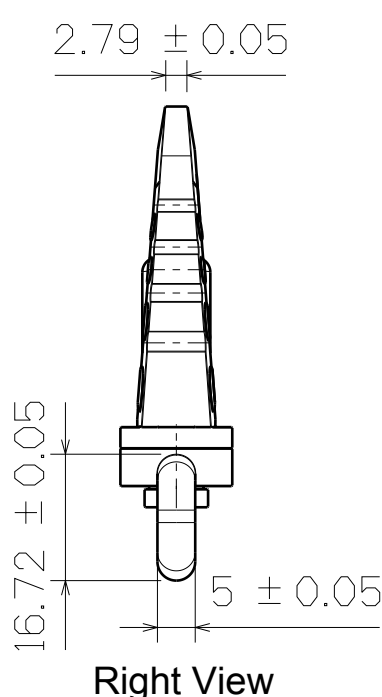
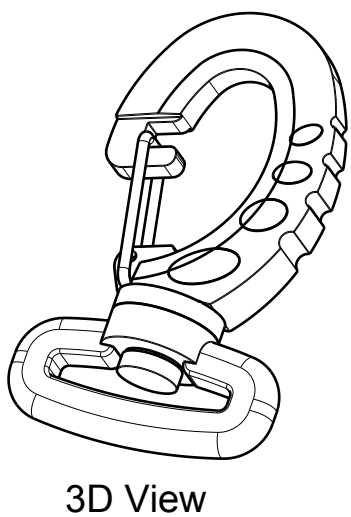
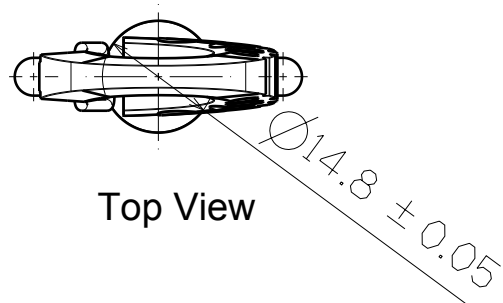
3

2

2

1

1



This drawing is our property.
It can't be reproduced
or communicated without
our written agreement.



DRAWN BY		DATE		DRAWING TITLE			
DANIEL CHEN		1996/6/2		SWIVEL HOOK			
CHECKED BY		DATE		SIZE	DRAWING NUMBER		REV
JIMMY CHEN		1996/6/5		A3	SF331-25MM		X
DESIGNED BY		DATE		SCALE	MATERIAL	SHEET	
RD		1996/6		1:1	POM	1/1	

H G F E D C B A