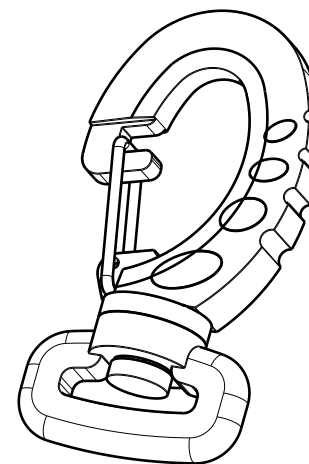
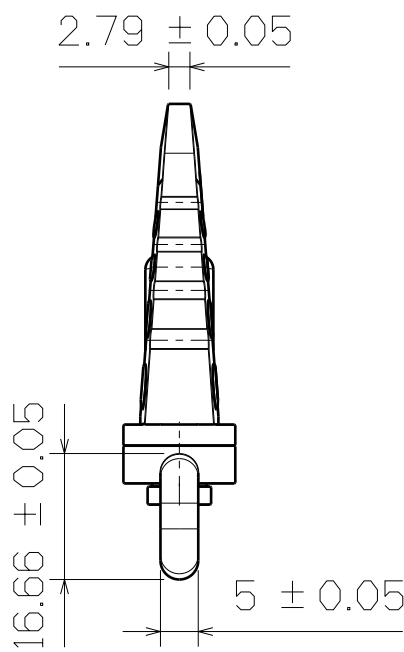


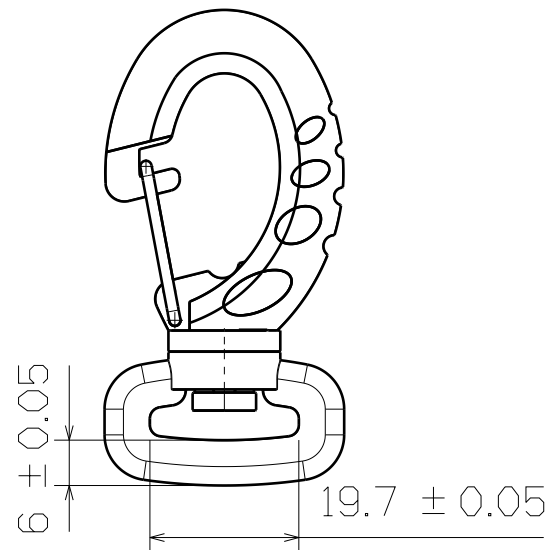
Top View



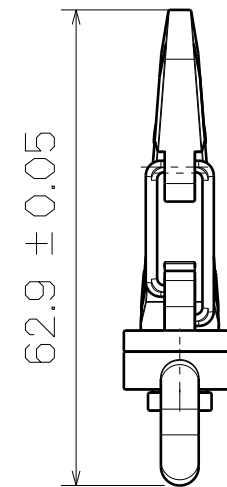
3D View



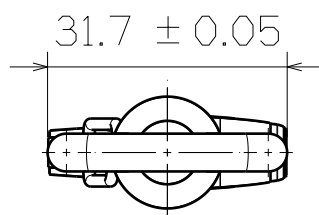
Right View




SF331-20mm



Left View



Bottom View

This drawing is our property. It can't be reproduced or communicated without our written agreement.		 <b>SHIN FANG PLASTIC INDUSTRIAL CO., LTD.</b>		
DRAWN BY <b>DANIEL CHEN</b>		DRAWING TITLE <b>SWIVEL HOOK</b>		
DATE 1996/6/2		SIZE <b>A3</b>	DRAWING NUMBER <b>SF331-20MM</b>	REV <b>X</b>
CHECKED BY <b>JIMMY CHEN</b>		SCALE 1:1 MATERIAL <b>POM</b> SHEET <b>1/1</b>		
DATE 1996/6/5				
DESIGNED BY <b>RD</b>		DATE 1996/6		