

H G F E D C B A

4

3

2

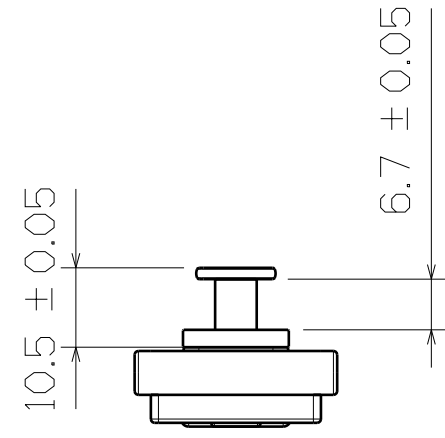
1

4

3

2

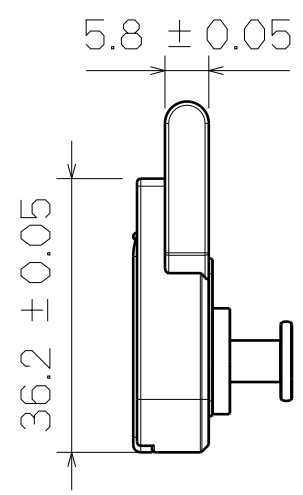
1



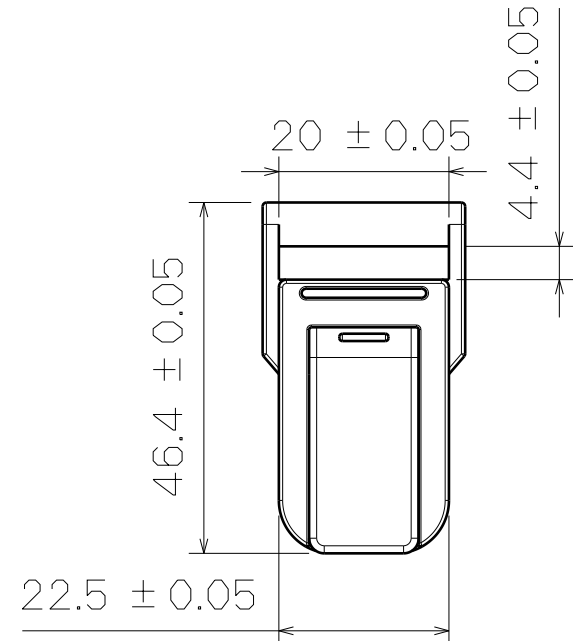
Top View



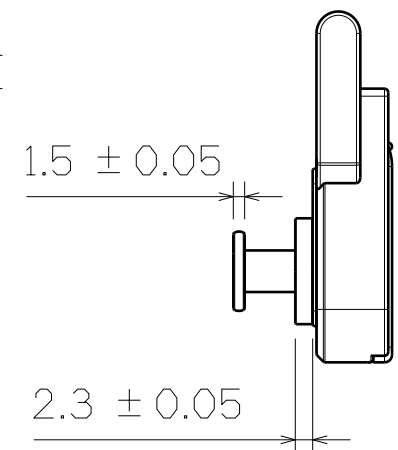
3D View



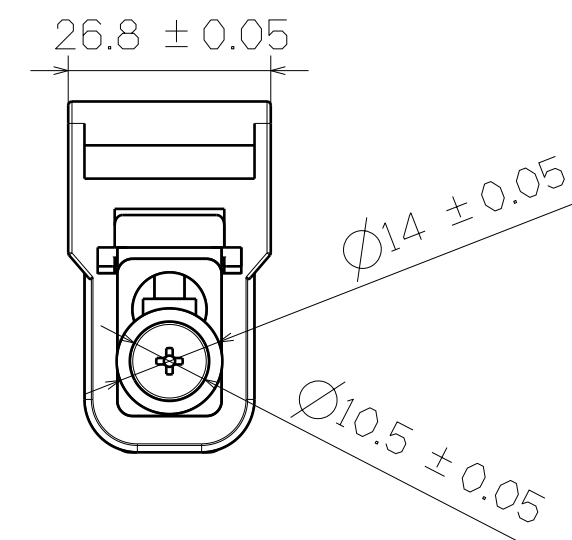
Right View



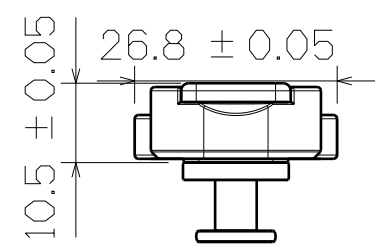
SF330-20mm



Left View



Back View



Bottom View

This drawing is our property.
It can't be reproduced
or communicated without
our written agreement.

 **SHIN FANG PLASTIC INDUSTRIAL CO., LTD.**

DRAWN BY		DATE		DRAWING TITLE					
DANIEL CHEN		1995/5/17		BELT HOOK					
CHECKED BY		DATE		SIZE	DRAWING NUMBER		REV		
JIMMY CHEN		1995/5/19		A3	SF330-20MM		X		
DESIGNED BY		DATE		SCALE	1:1	MATERIAL	POM	SHEET	1/1
RD		1995/5							

H G F E D C B A