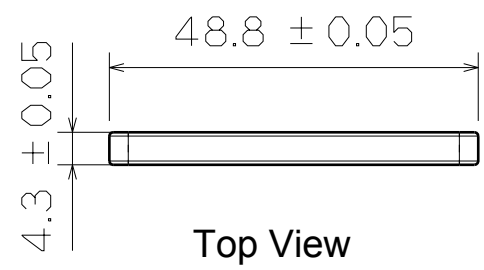


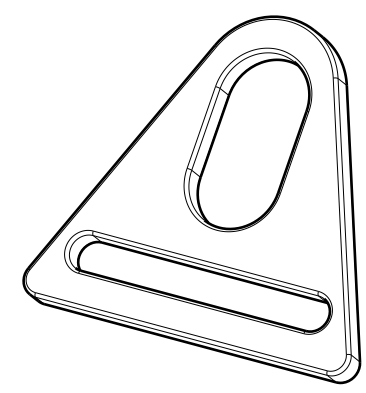
H G F E D C B A

4

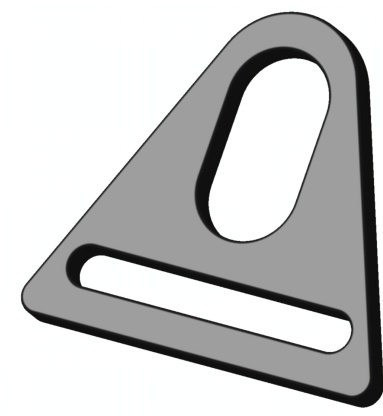
4



Top View

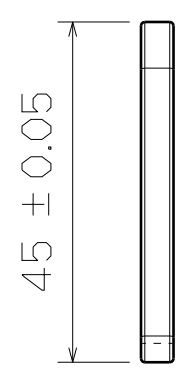


3D View

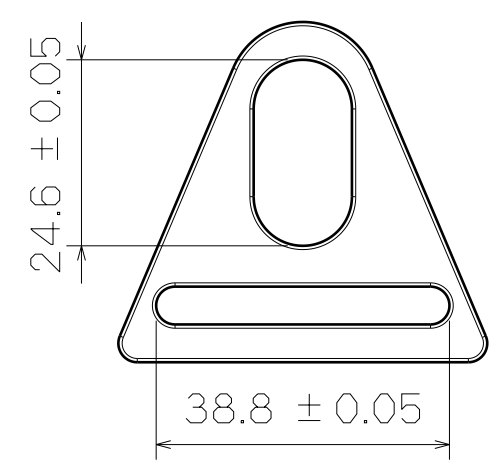


3

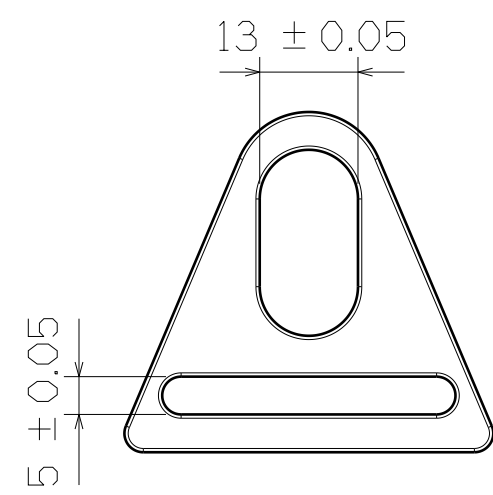
3



Right View



SF321-38mm



Back View

2

2

This drawing is our property.
It can't be reproduced
or communicated without
our written agreement.

**SHIN FANG PLASTIC
INDUSTRIAL CO., LTD.**

| | |
|-------------|----------|
| DRAWN BY | DATE |
| DANIEL CHEN | 1995/5/4 |
| CHECKED BY | DATE |
| JIMMY CHEN | 1995/5/8 |
| DESIGNED BY | DATE |
| RD | 1995/5 |

| | | | |
|---------------|----------------|----------|-----|
| DRAWING TITLE | | | |
| GALLUSES LOOP | | | |
| SIZE | DRAWING NUMBER | REV | |
| A3 | SF321-38MM | X | |
| SCALE | 1:1 | MATERIAL | POM |
| SHEET | | 1/1 | |

H G F E D C B A

1

1