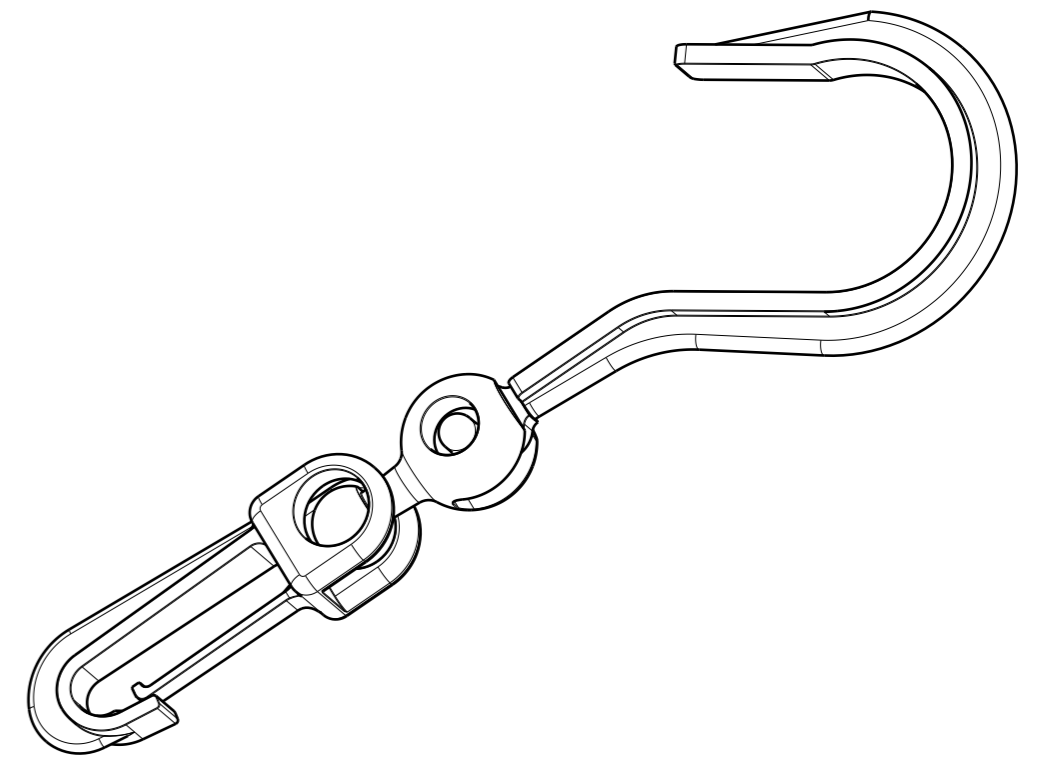
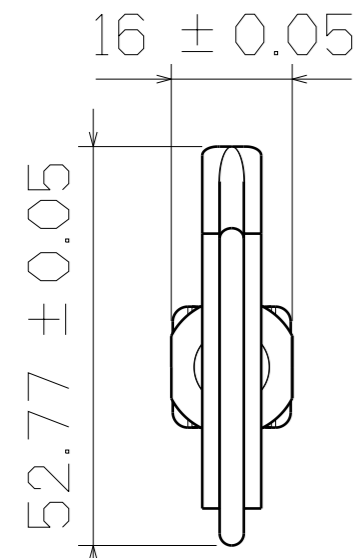


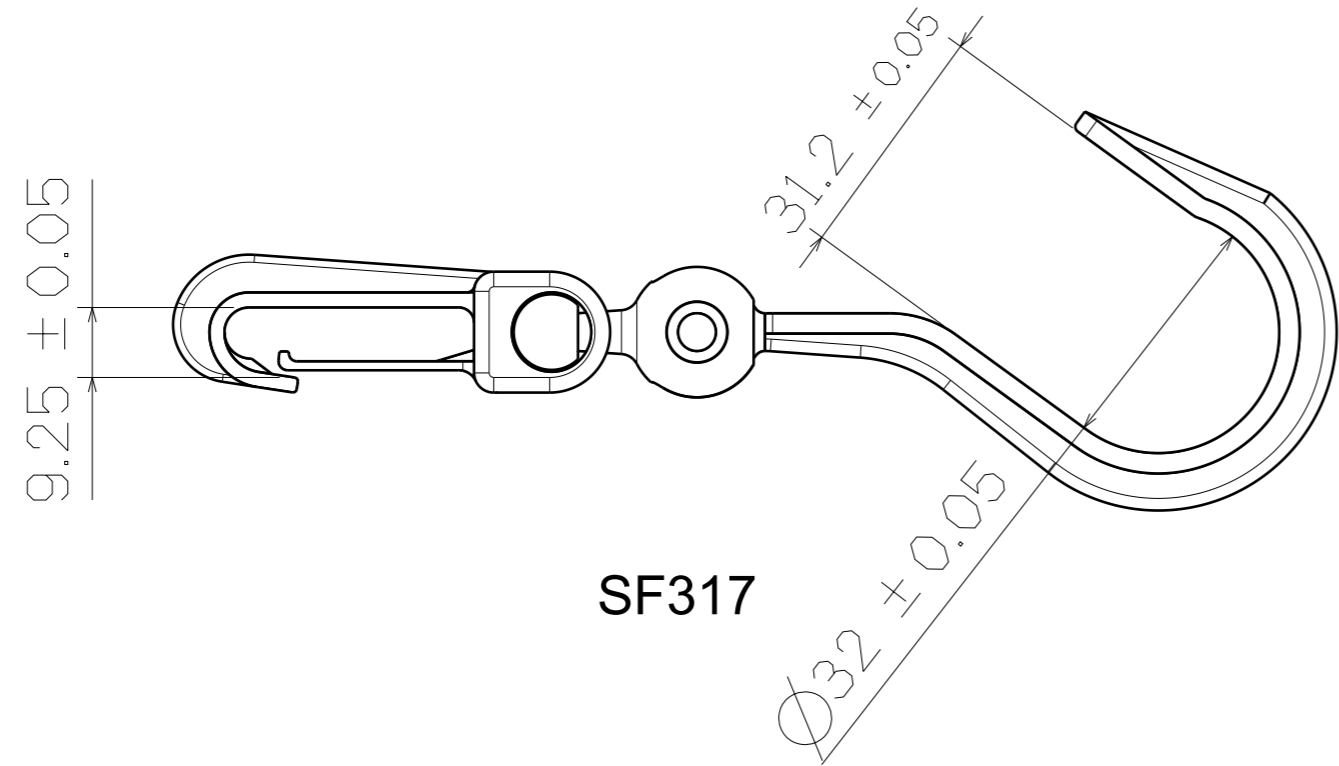
Top View



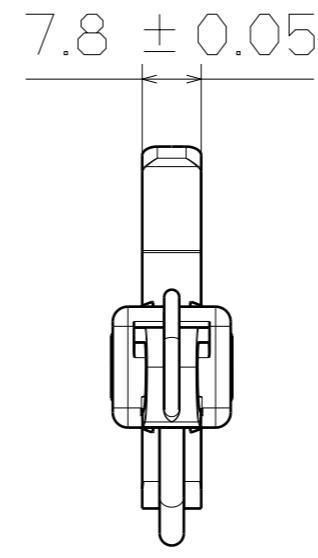
3D View



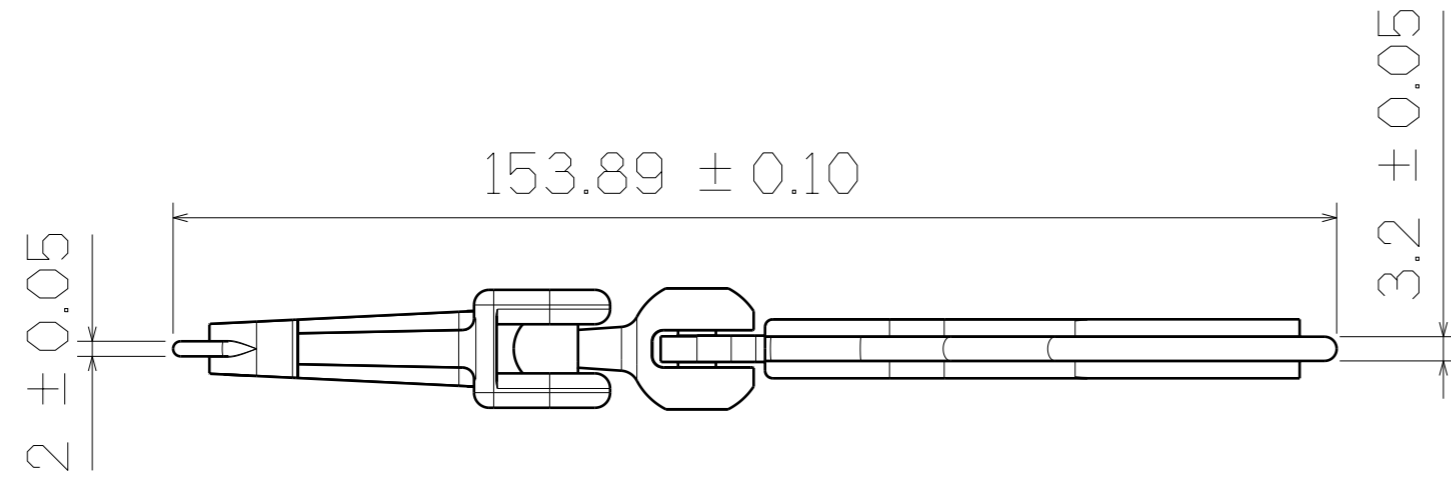
Right View



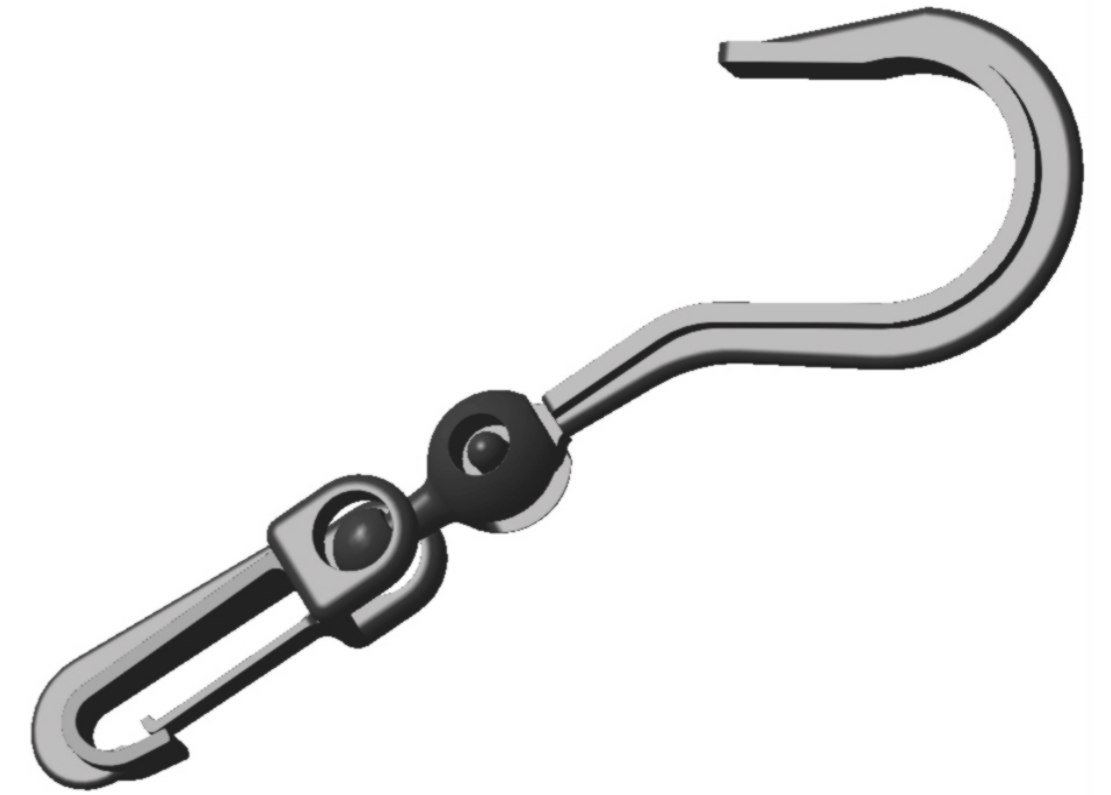
SF317




Left View



Bottom View



This drawing is our property. It can't be reproduced or communicated without our written agreement.		 SHIN FANG PLASTIC INDUSTRIAL CO., LTD.			
DRAWN BY DANIEL CHEN		DATE 1995/2/3	DRAWING TITLE HANG HOOK		
CHECKED BY JIMMY CHEN	DATE 1995/2/5	SIZE A2	DRAWING NUMBER SF317	REV X	
DESIGNED BY RD	DATE 1995/2	SCALE 1:1	MATERIAL POM	SHEET 1/1	