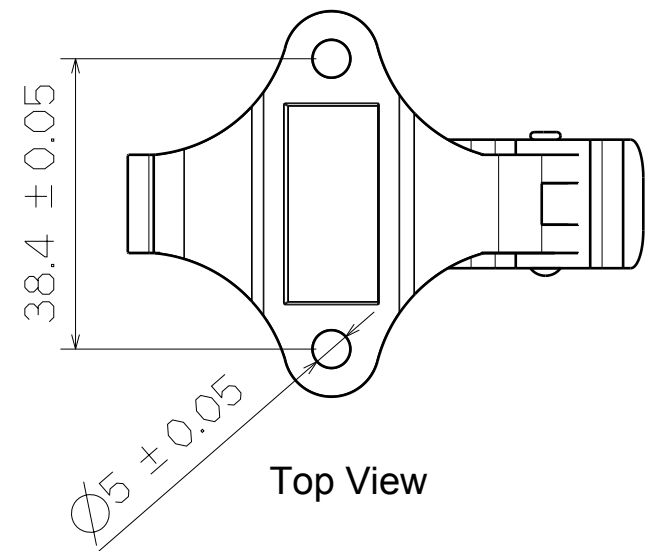


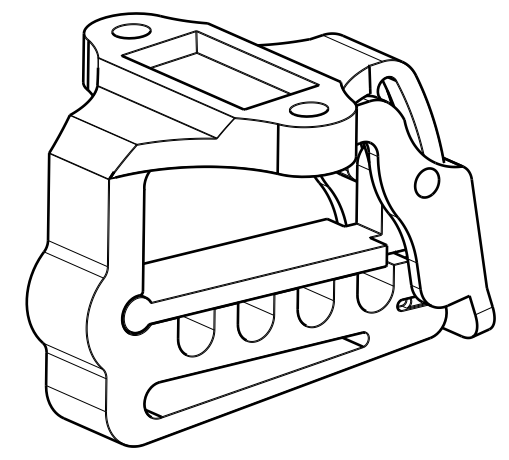
H G F E D C B A

4

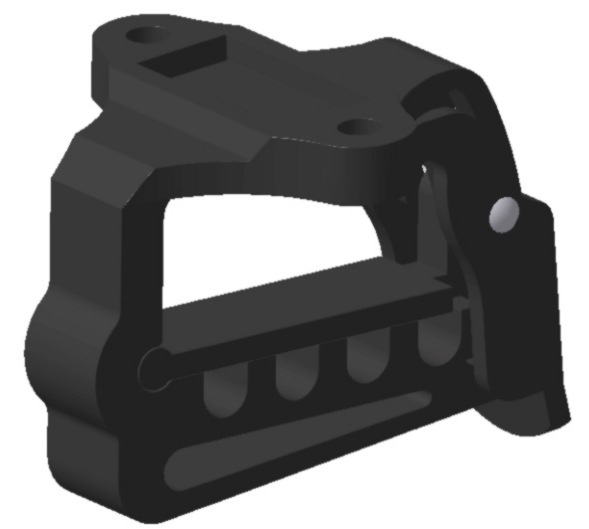
4



Top View

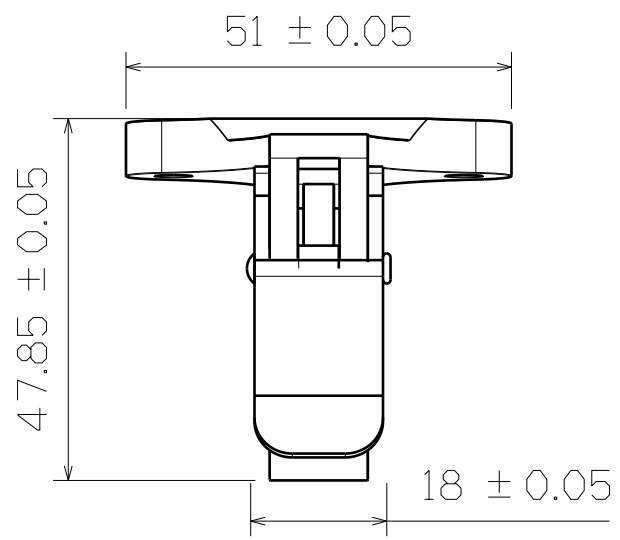


3D View

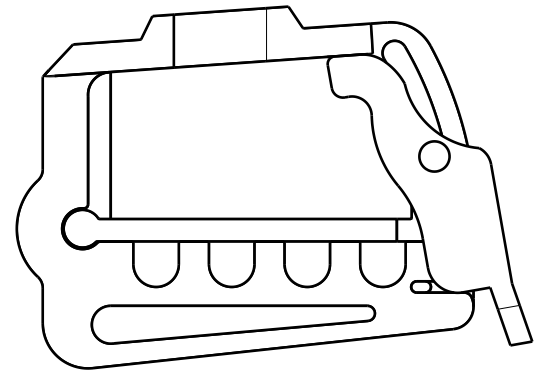


3

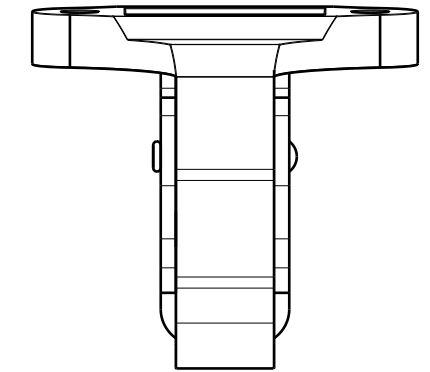
3



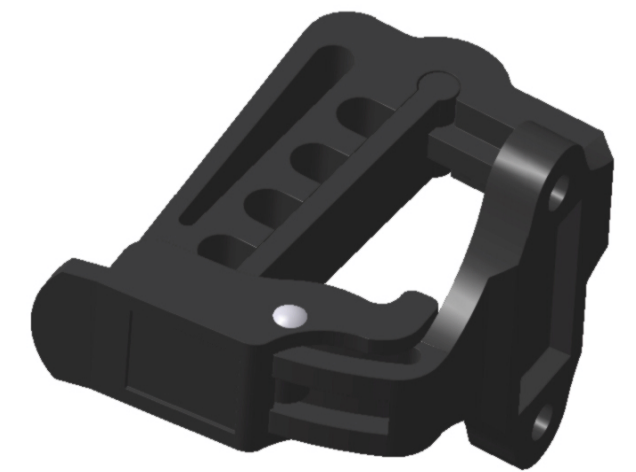
Right View



SF316

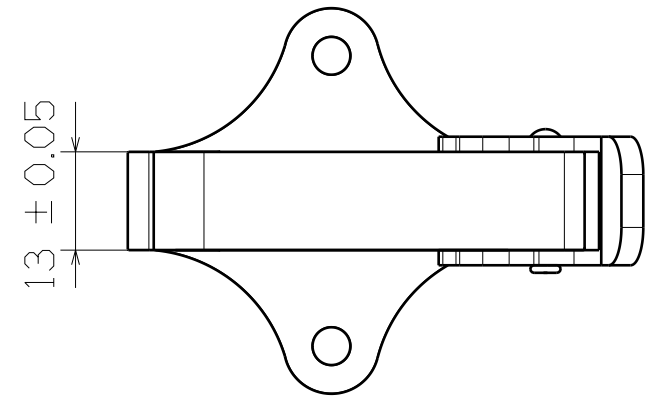


Left View



2

2



Bottom View

This drawing is our property.  
It can't be reproduced  
or communicated without  
our written agreement.



**SHIN FANG PLASTIC  
INDUSTRIAL CO., LTD.**

DRAWN BY		DATE		DRAWING TITLE			
DANIEL CHEN		1997/3/4		HANGER HOOK			
CHECKED BY		DATE		SIZE	DRAWING NUMBER		REV
JIMMY CHEN		1997/3/6		A3	SF316		X
DESIGNED BY		DATE		SCALE	1:1	MATERIAL	POM
RD		1997/3		SHEET	1/1		

H G F E D C B A

1

1