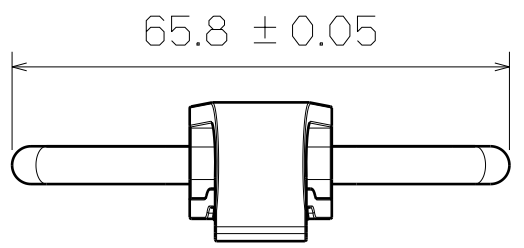


H G F E D C B A

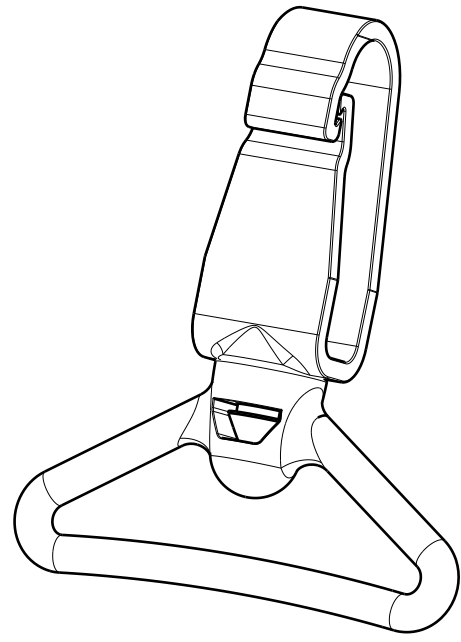
4

4

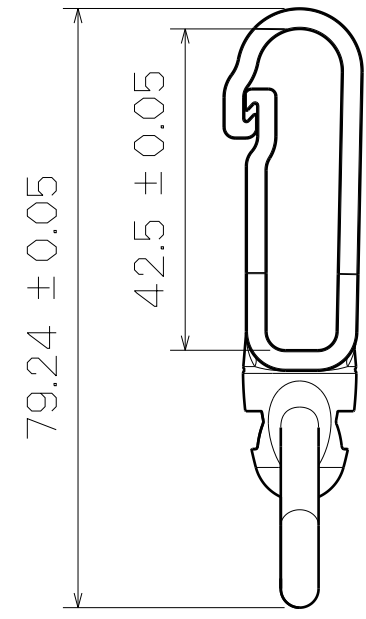


65.8 ± 0.05

TOP VIEW



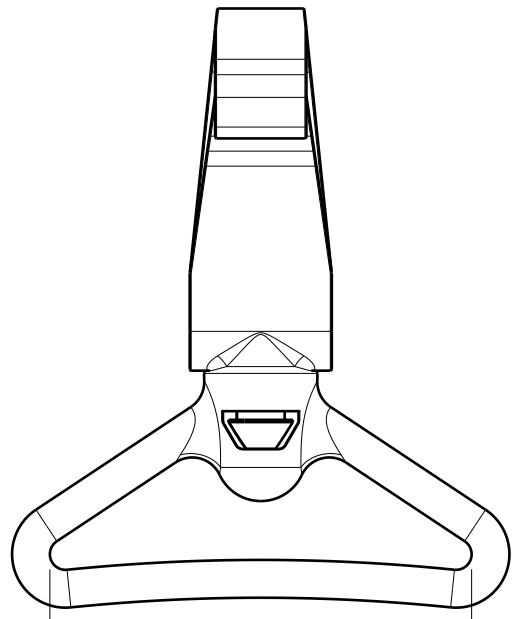
3D VIEW



79.24 ± 0.05

42.5 ± 0.05

RIGHT VIEW



55.8 ± 0.05

SF315-51MM
BOTTOM VIEW



3

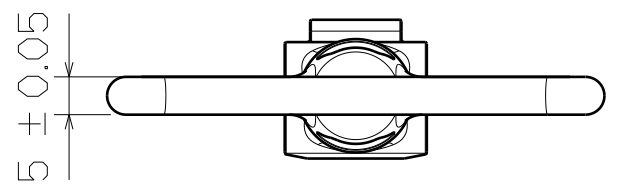
3

2

2

1

1



5 ± 0.05

BOTTOM VIEW

This drawing is our property.
It can't be reproduced
or communicated without
our written agreement.



**SHIN FANG PLASTIC
INDUSTRIAL CO., LTD.**

DRAWING TITLE				
SWIVEL HOOK				
DRAWN BY	DATE	SIZE	DRAWING NUMBER	REV
BRIAN CHEN	2000/3/2	A3	SF315-51MM	X
CHECKED BY	DATE			
JIMMY CHEN	2000/3/8	SCALE	MATERIAL	SHEET
DESIGNED BY	DATE	1:1	POM	1/1
RD	2000/3			

H G B A