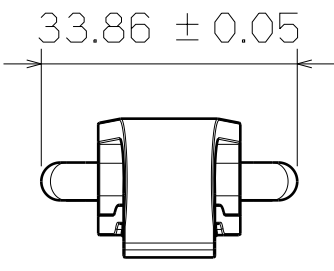
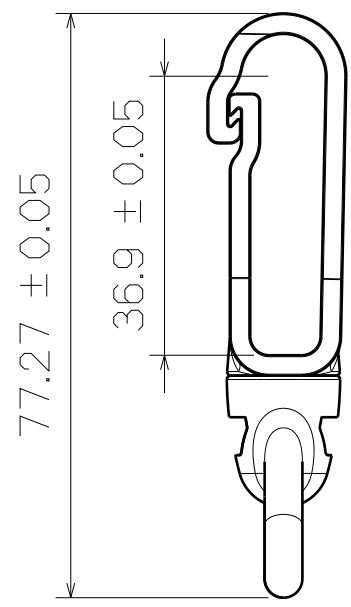


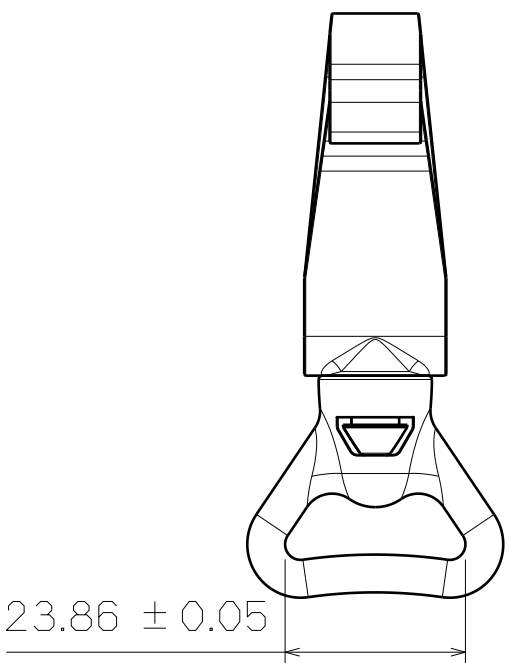
3D VIEW



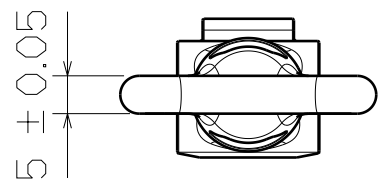
TOP VIEW



RIGHT VIEW



TOP VIEW



BOTTOM VIEW

This drawing is our property.
It can't be reproduced
or communicated without
our written agreement.



**SHIN FANG PLASTIC
INDUSTRIAL CO., LTD.**

DRAWN BY		DATE		DRAWING TITLE			
BRIAN CHEN		2000/3/4		SWIVEL HOOK			
CHECKED BY		DATE		SIZE	DRAWING NUMBER		REV
JIMMY CHEN		2000/3/8		A3	SF315-20MM		X
DESIGNED BY		DATE		SCALE	1:1	MATERIAL	POM
RD		2000/3		SHEET	1/1		