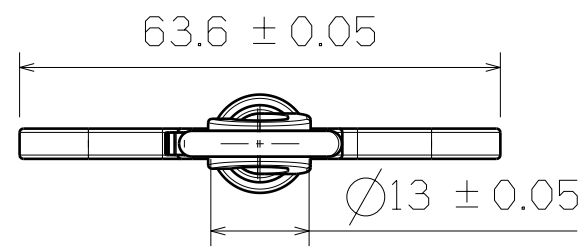


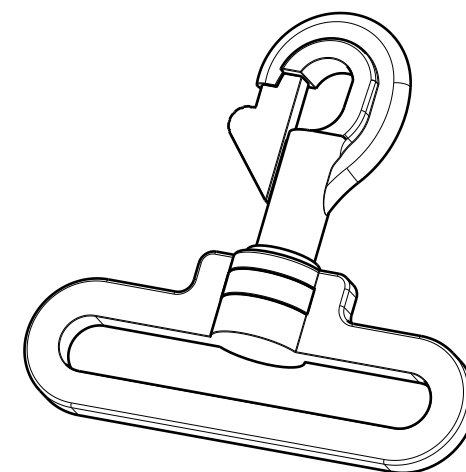
H G F E D C B A

4

4



Top View

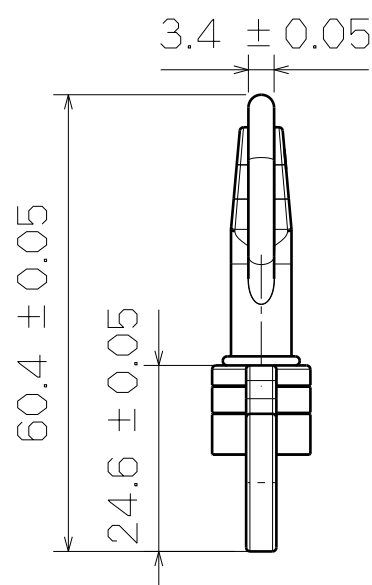


3D View

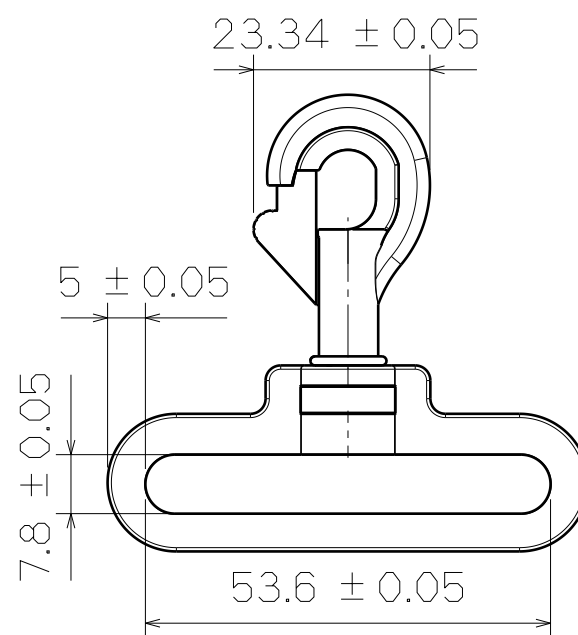


3

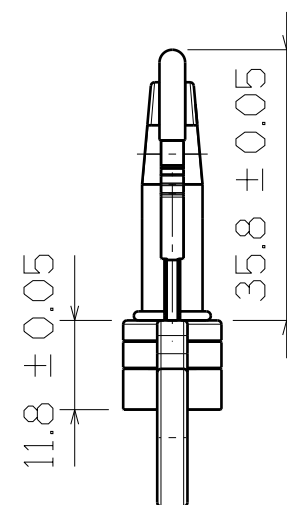
3



Right View



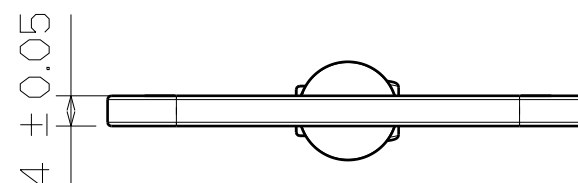
SF313-51mm
Bottom View




Left View

2

2



Bottom View

This drawing is our property. It can't be reproduced or communicated without our written agreement.		 SHIN FANG PLASTIC INDUSTRIAL CO., LTD.		
DRAWN BY DANIEL CHEN		DATE 1999/2/5		DRAWING TITLE SPRING HOOK
CHECKED BY JIMMY CHEN		DATE 1999/2/7		
DESIGNED BY RD		DATE 1999/2		SIZE A3
SCALE 1:1		MATERIAL POM		REV X
SHEET 1/1				

1

1

H G F E D C B A