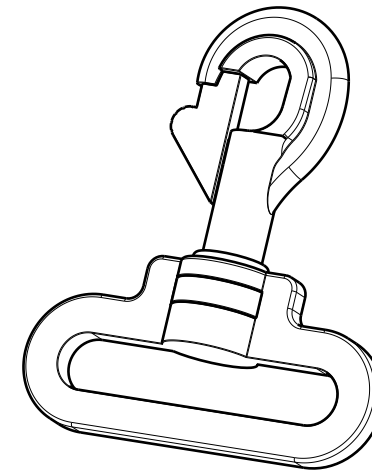
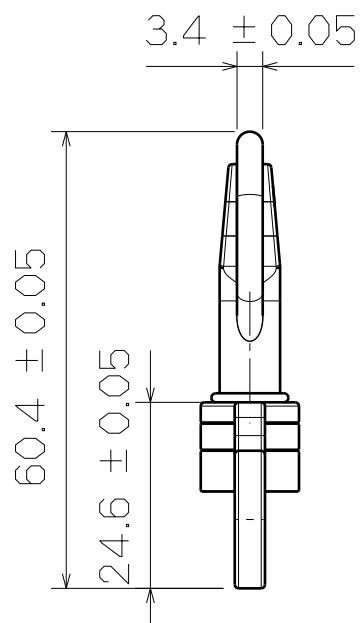


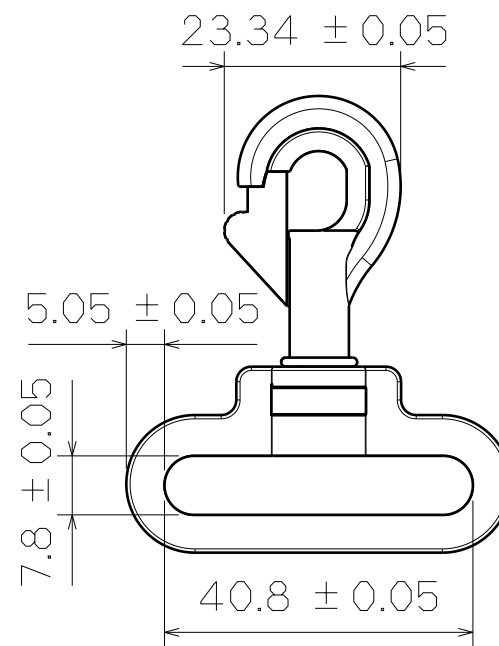
Top View



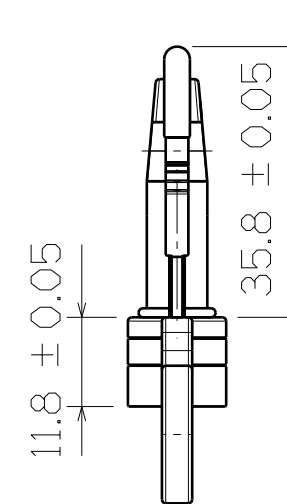
3D View



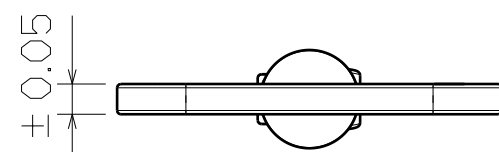
Right View




SF313-38mm



Left View



Bottom View

This drawing is our property. It can't be reproduced or communicated without our written agreement.		 SHIN FANG PLASTIC INDUSTRIAL CO., LTD.			
DRAWN BY DANIEL CHEN		DATE 1999/2/5		DRAWING TITLE SPRING HOOK	
CHECKED BY JIMMY CHEN		DATE 1999/2/7		SIZE A3	REV X
DESIGNED BY RD		DATE 1999/2		SCALE 1:1	MATERIAL POM
				SHEET 1/1	