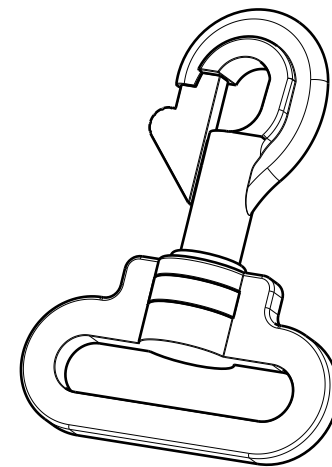
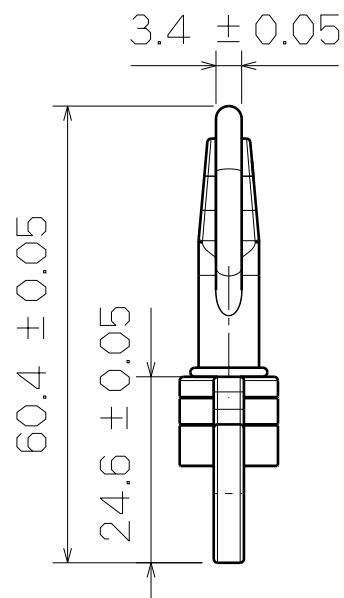


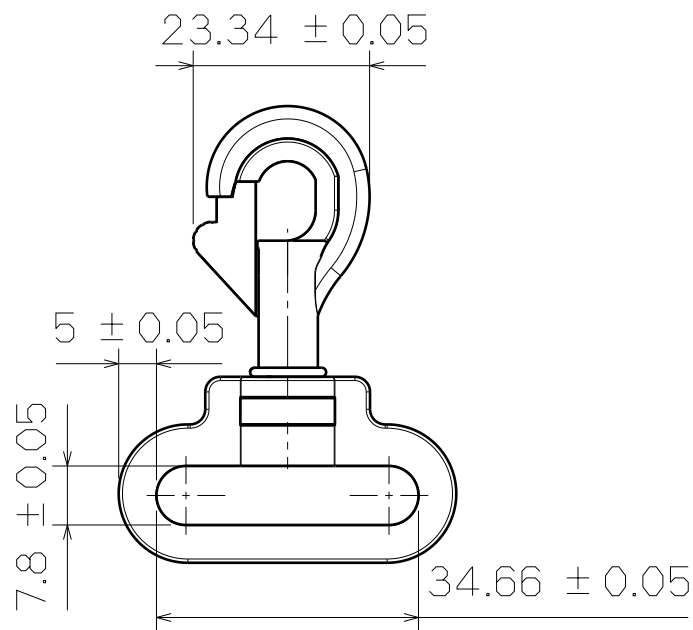
Top View



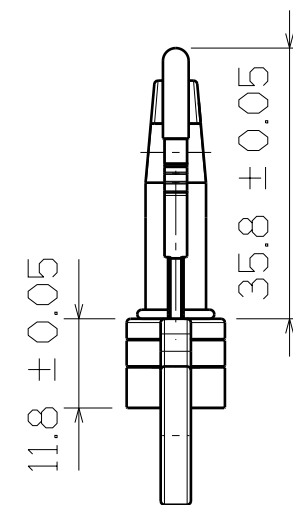
3D View



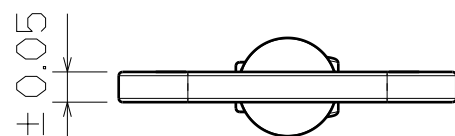
Right View



SF313-32mm



Left View



Bottom View

This drawing is our property. It can't be reproduced or communicated without our written agreement.	
DRAWN BY DANIEL CHEN	DATE 1999/2/5
CHECKED BY JIMMY CHEN	DATE 1999/2/7
DESIGNED BY RD	DATE 1999/2

DRAWING TITLE			
SPRING HOOK			
SIZE A3	DRAWING NUMBER SF313-32MM		REV X
SCALE 1:1	MATERIAL POM	SHEET 1/1	