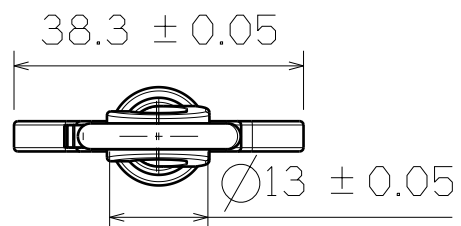


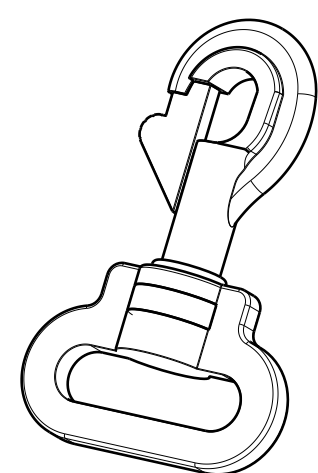
H G F E D C B A

4

4



Top View

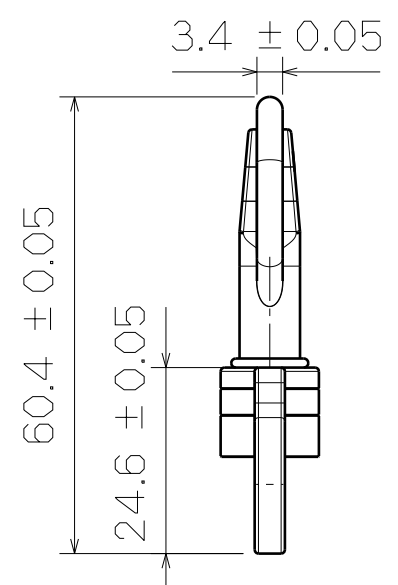


3D View

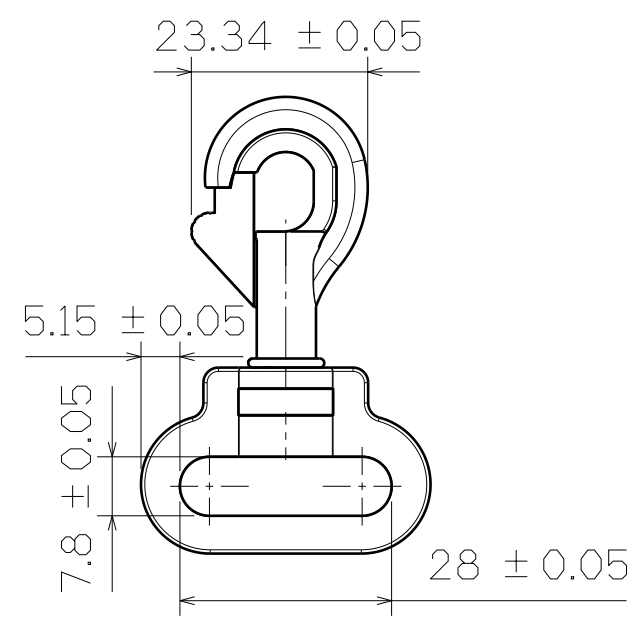


3

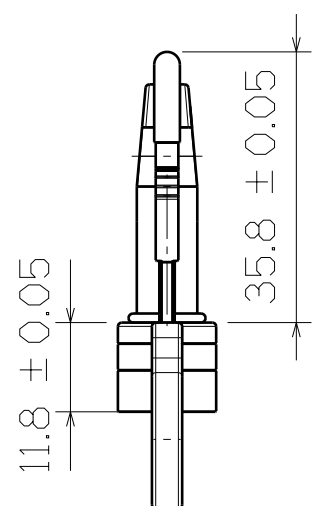
3



Right View



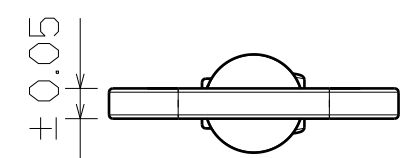
SF313-25mm



Left View

2

2



Bottom View

This drawing is our property.  
It can't be reproduced  
or communicated without  
our written agreement.



**SHIN FANG PLASTIC  
INDUSTRIAL CO., LTD.**

DRAWN BY	DATE
DANIEL CHEN	1999/2/1
CHECKED BY	DATE
JIMMY CHEN	1999/2/3
DESIGNED BY	DATE
RD	1999/2

DRAWING TITLE			
SPRING HOOK			
SIZE	DRAWING NUMBER	REV	
A3	SF313-25MM	X	
SCALE	1:1	MATERIAL	POM
SHEET		1/1	

1

1

H G F E D C B A