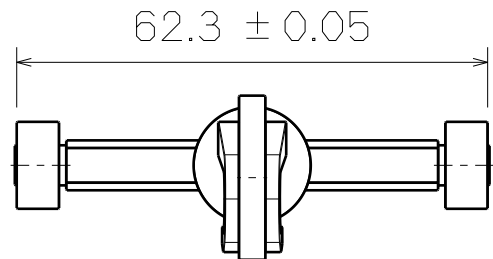


H G F E D C B A

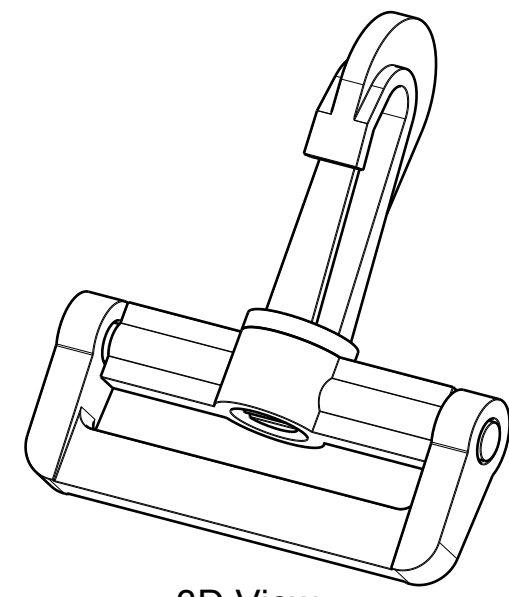
4

4



62.3 ± 0.05

Top View

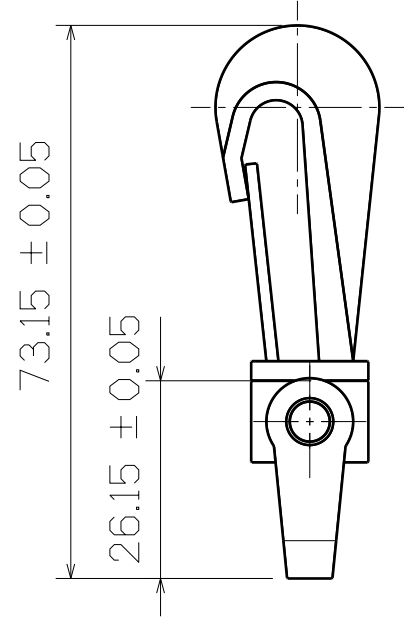


3D View



3

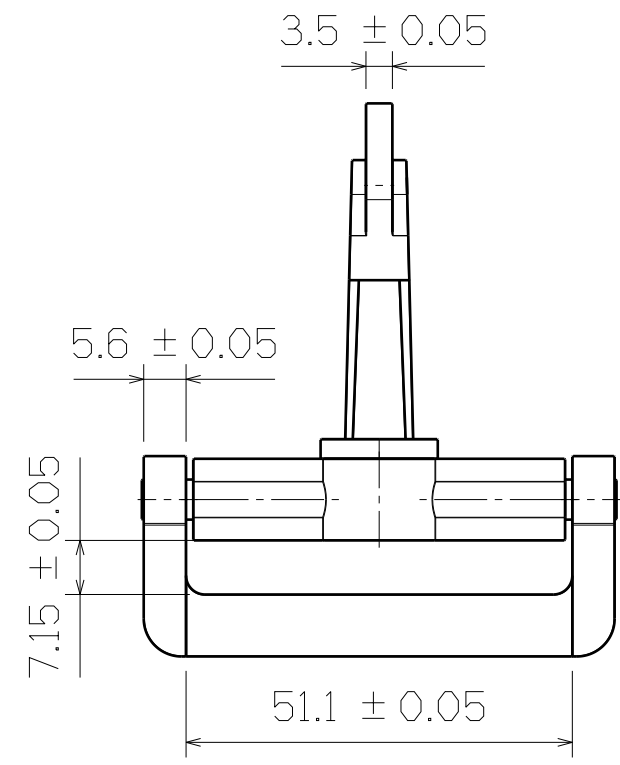
3



73.15 ± 0.05

26.15 ± 0.05

Right View



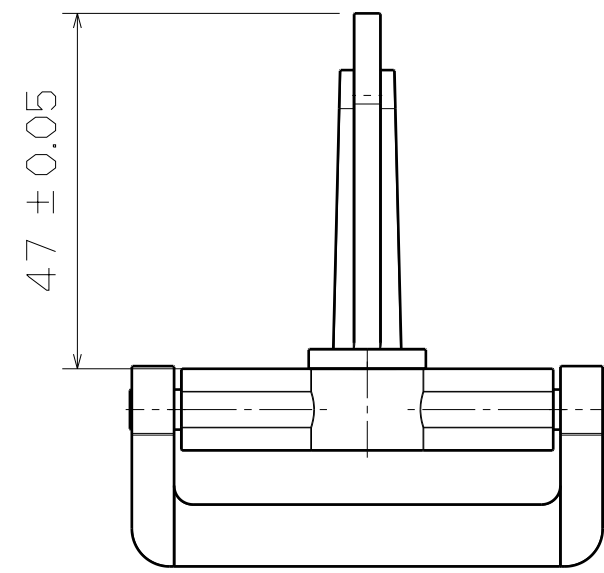
3.5 ± 0.05

5.6 ± 0.05

7.15 ± 0.05

51.1 ± 0.05

SF311-51mm

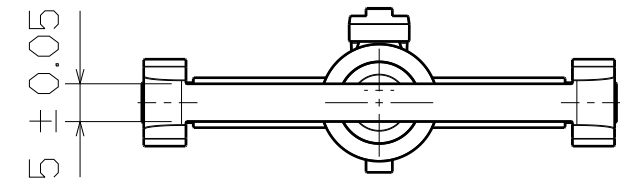


47 ± 0.05

Back View

2

2



5 ± 0.05

Bottom View

This drawing is our property. It can't be reproduced or communicated without our written agreement.

**SHIN FANG PLASTIC INDUSTRIAL CO., LTD.**

DRAWN BY		DATE		DRAWING TITLE			
DANIEL CHEN		1998/11/5		UNIVERSAL SNAP HOOK			
CHECKED BY		DATE		SIZE	DRAWING NUMBER	REV	
JIMMY CHEN		1998/11/9		A3	SF311-51MM	X	
DESIGNED BY		DATE		SCALE	MATERIAL	SHEET	1/1
RD		1998/11		1:1	POM		

H G F E D C B A

1

1