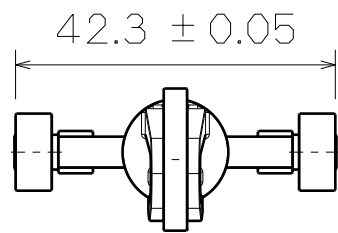


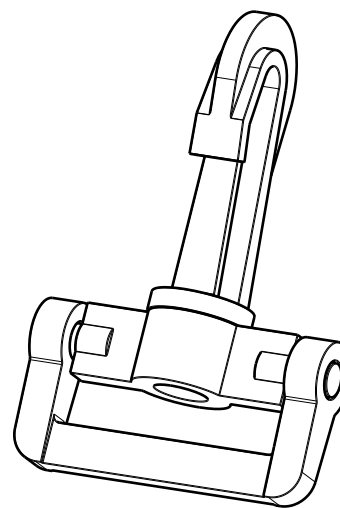
H G F E D C B A

4

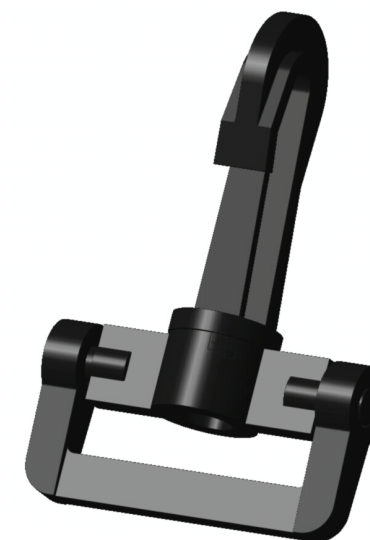
4



Top View

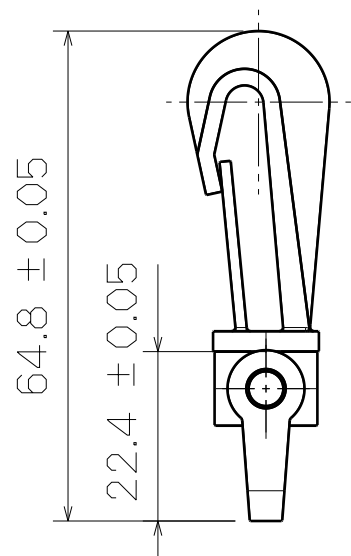


3D View

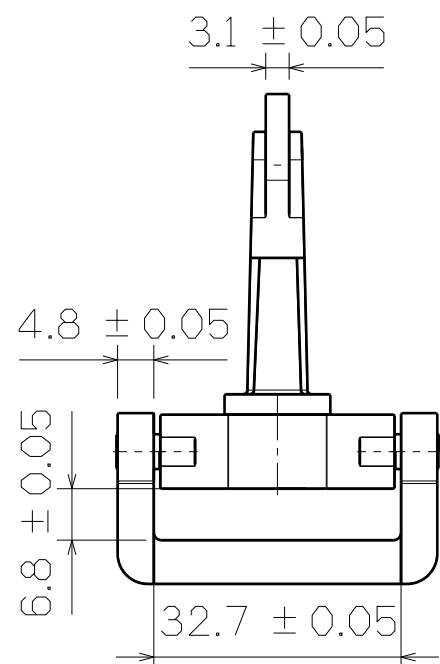


3

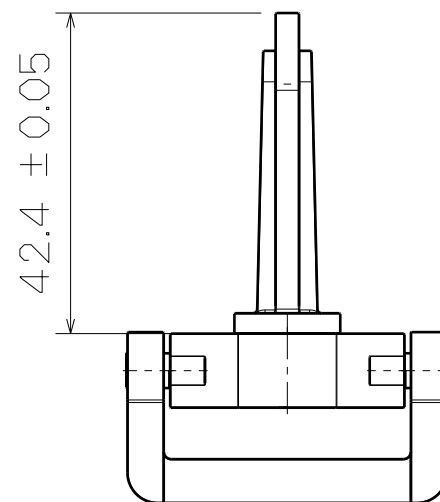
3



Right View



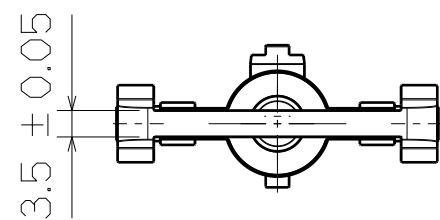
SF311-32mm



Back View

2

2



Bottom View

This drawing is our property.
It can't be reproduced
or communicated without
our written agreement.



DRAWING TITLE

UNIVERSAL SNAP HOOK

DRAWN BY	DATE
DANIEL CHEN	1998/11/1
CHECKED BY	DATE
JIMMY CHEN	1998/11/3
DESIGNED BY	DATE
RD	1998/11

SIZE	DRAWING NUMBER	REV			
A3	SF311-32MM	X			
SCALE	1:1	MATERIAL	POM	SHEET	1/1

1

1

H G F E D C B A