

H

G

F

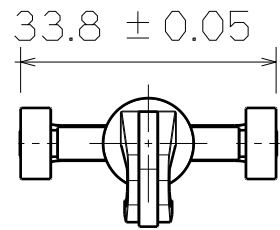
E

D

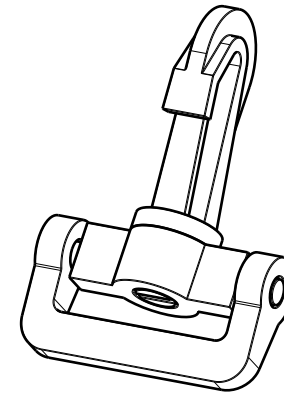
C

B

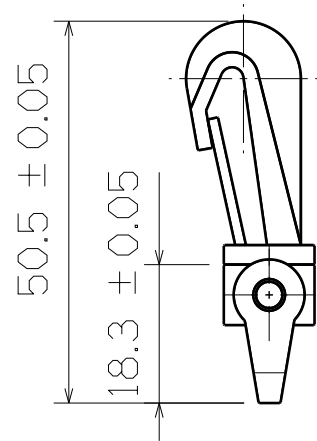
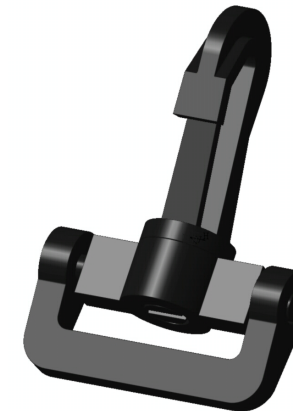
A



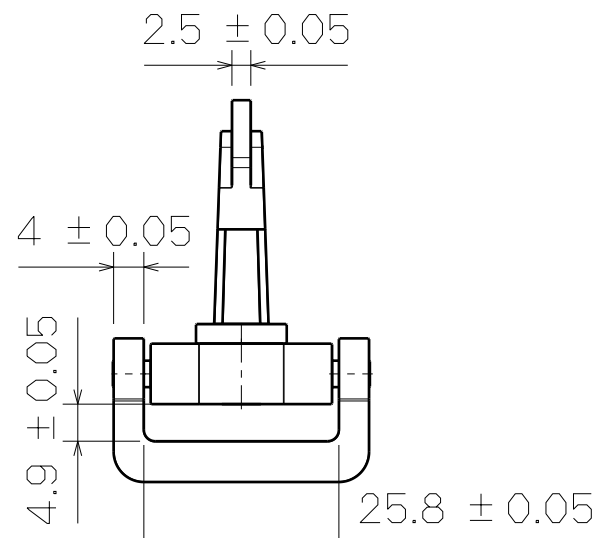
Top View



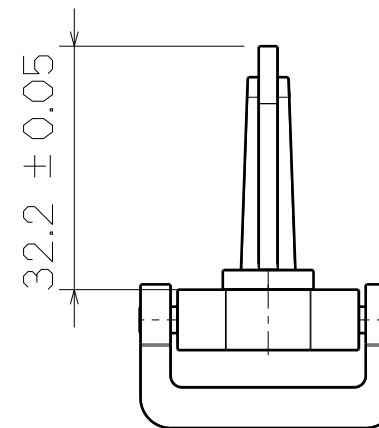
3D View



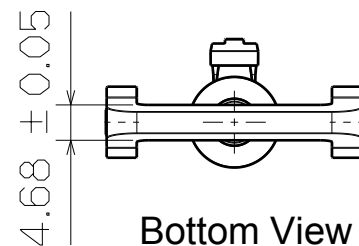
Right View



SF311-25mm



Back View



Bottom View

This drawing is our property.  
It can't be reproduced  
or communicated without  
our written agreement.



**SHIN FANG PLASTIC  
INDUSTRIAL CO., LTD.**

DRAWING TITLE

UNIVERSAL SNAP HOOK

DRAWN BY	DATE
DANIEL CHEN	1998/10/2
CHECKED BY	DATE
JIMMY CHEN	1998/10/5
DESIGNED BY	DATE
RD	1998/10

SIZE	DRAWING NUMBER	REV			
A3	SF311-25MM	X			
SCALE	1:1	MATERIAL	POM	SHEET	1/1

H

G

B

A