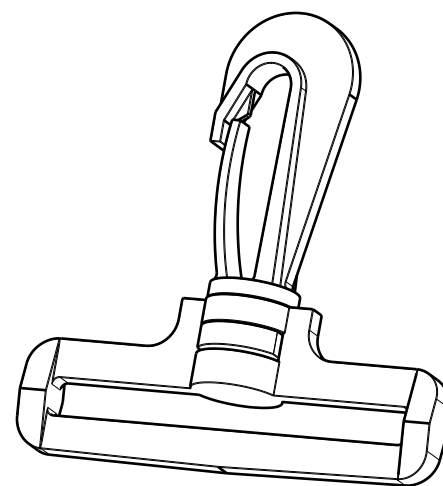
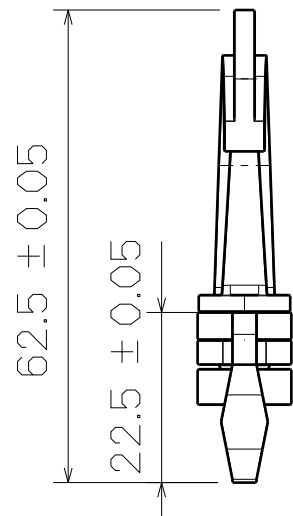


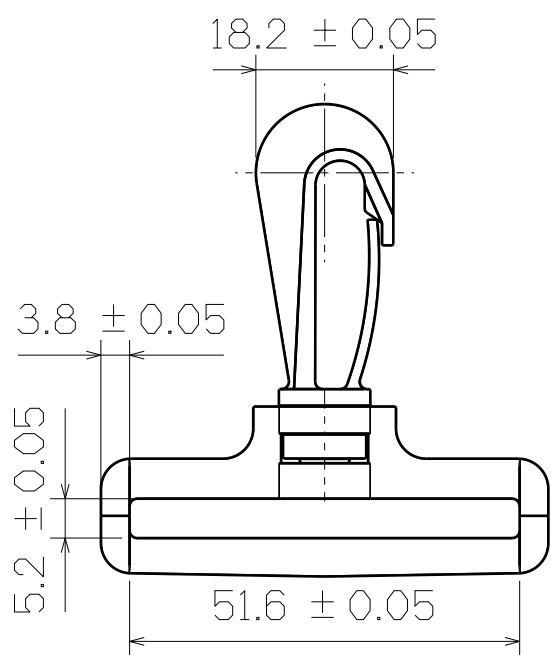
Top View



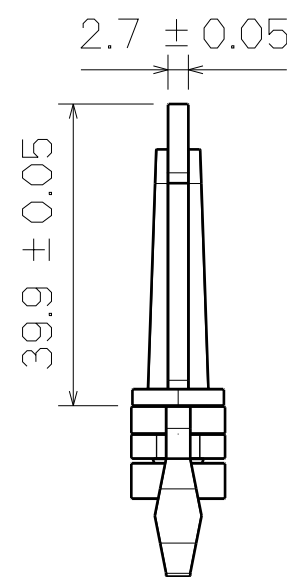
3D View



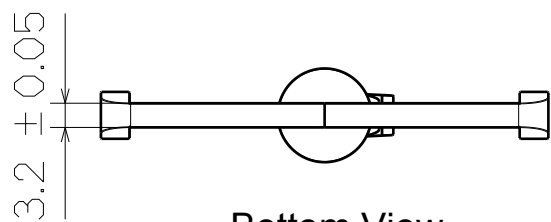
Right View



SF310-51mm



Left View



Bottom View

This drawing is our property.
It can't be reproduced
or communicated without
our written agreement.

 **SHIN FANG PLASTIC
INDUSTRIAL CO., LTD.**

DRAWN BY	DATE
DANIEL CHEN	1998/9/15
CHECKED BY	DATE
JIMMY CHEN	1998/9/17
DESIGNED BY	DATE
RD	1998/9

DRAWING TITLE			
SWIVEL HOOK			
SIZE	DRAWING NUMBER	REV	
A3	SF310-51MM	X	
SCALE	1:1	MATERIAL	POM
SHEET		1/1	