

H

G

F

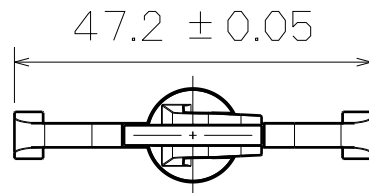
E

D

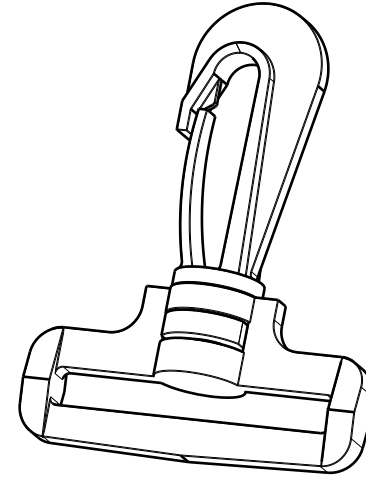
C

B

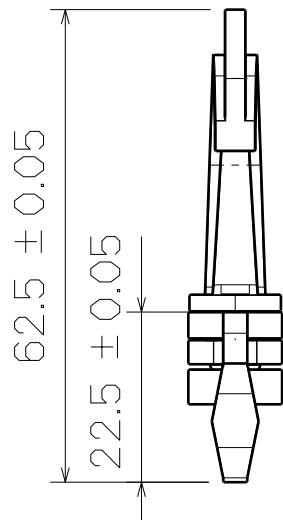
A



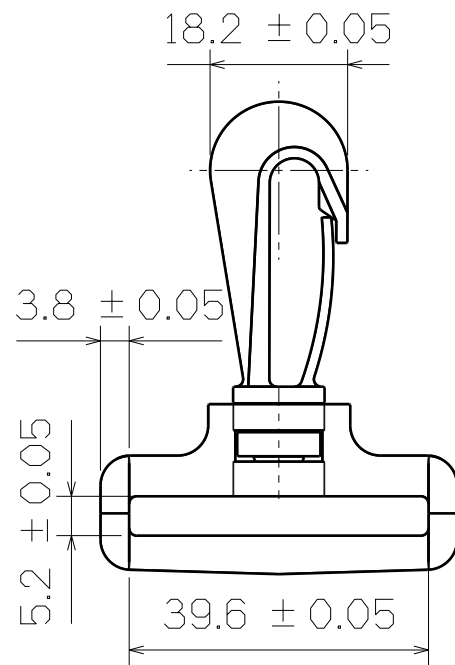
Top View



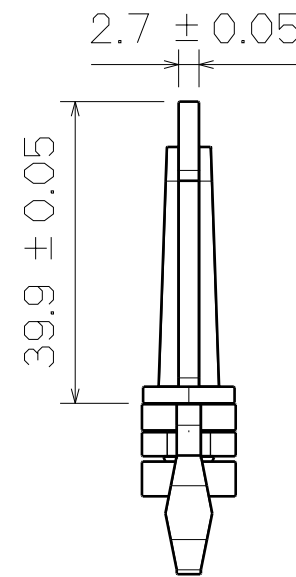
3D View



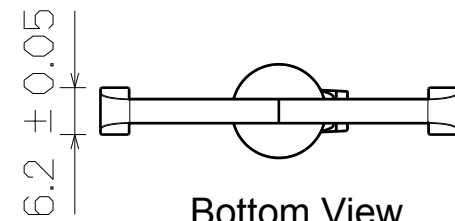
Right View



SF310-38mm



Left View



Bottom View

This drawing is our property.
It can't be reproduced
or communicated without
our written agreement.

 **SHIN FANG PLASTIC
INDUSTRIAL CO., LTD.**

DRAWING TITLE

SWIVEL HOOK

DRAWN BY	DATE
DANIEL CHEN	1998/5/14
CHECKED BY	DATE
JIMMY CHEN	1998/5/20
DESIGNED BY	DATE
RD	XXX

SIZE	DRAWING NUMBER	REV			
A3	SF310-38MM	X			
SCALE	1:1	MATERIAL	POM	SHEET	1/1

H

G

B

A