

H

G

F

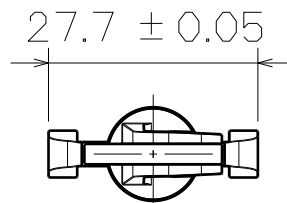
E

D

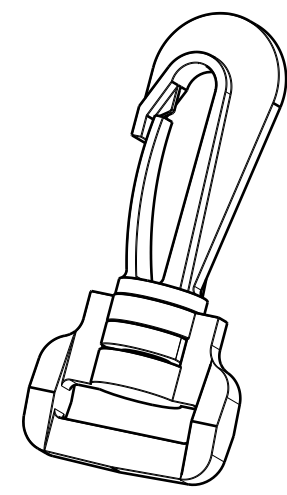
C

B

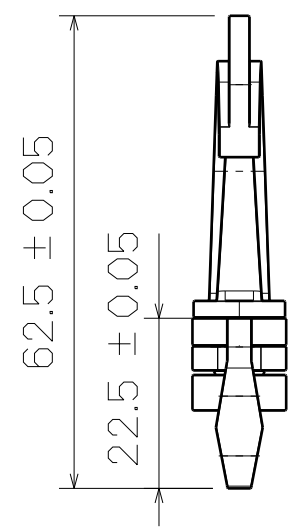
A



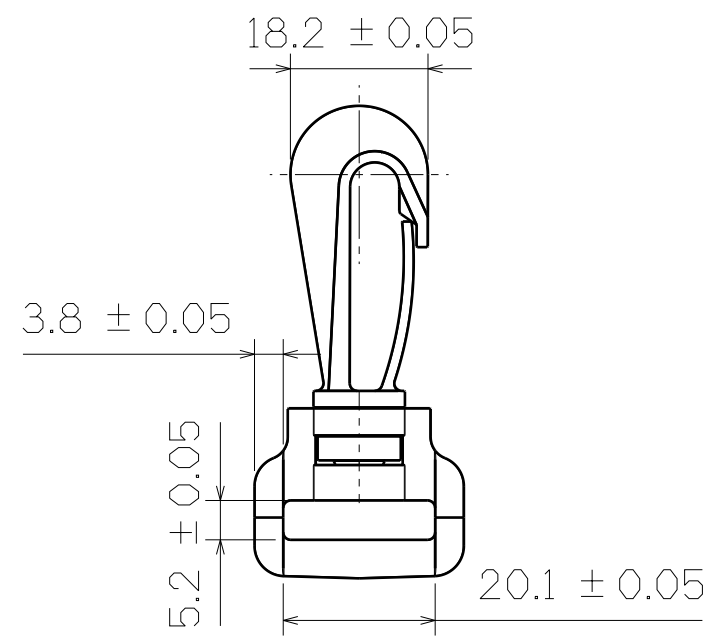
Top View



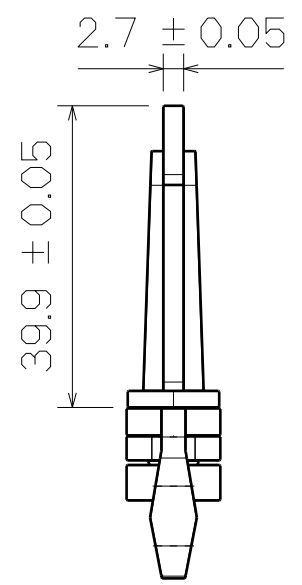
3D View



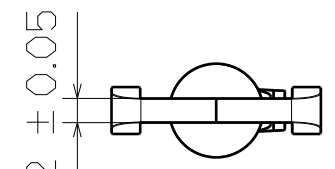
Right View



SF310-20mm



Left View



Bottom View

This drawing is our property.  
It can't be reproduced  
or communicated without  
our written agreement.



**SHIN FANG PLASTIC  
INDUSTRIAL CO., LTD.**

|             |  |          |  |               |                |          |     |
|-------------|--|----------|--|---------------|----------------|----------|-----|
| DRAWN BY    |  | DATE     |  | DRAWING TITLE |                |          |     |
| DANIEL CHEN |  | 1998/9/1 |  | SWIVEL HOOK   |                |          |     |
| CHECKED BY  |  | DATE     |  | SIZE          | DRAWING NUMBER |          | REV |
| JIMMY CHEN  |  | 1998/9/5 |  | A3            | SF310-20MM     |          | X   |
| DESIGNED BY |  | DATE     |  | SCALE         | 1:1            | MATERIAL | POM |
| RD          |  | 1998/9   |  |               |                | SHEET    | 1/1 |

H

G

B

A