

H

G

F

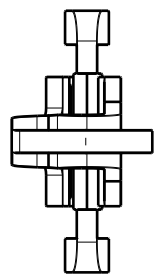
E

D

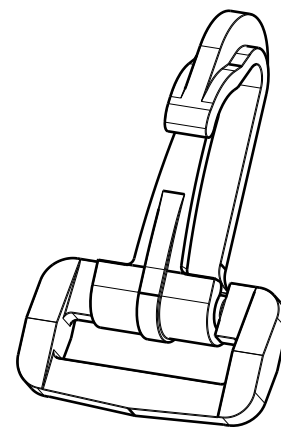
C

B

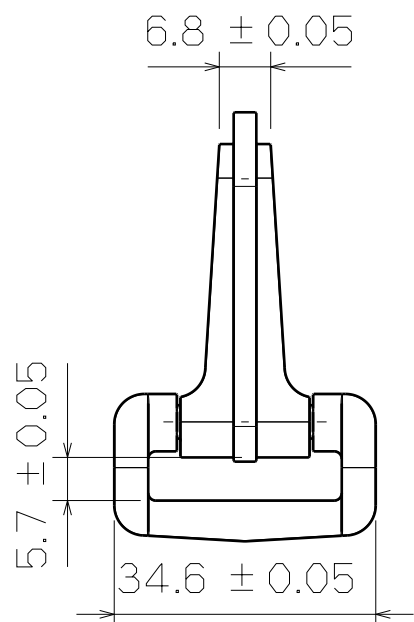
A



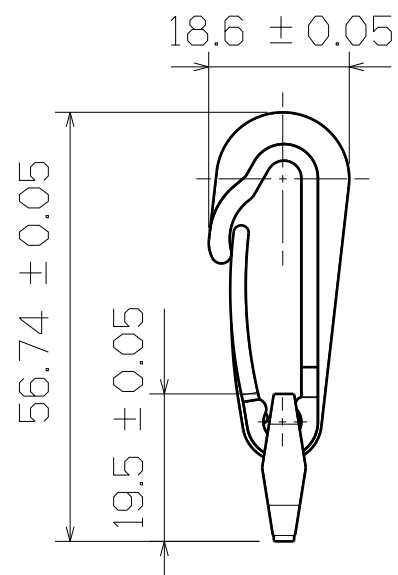
Top View



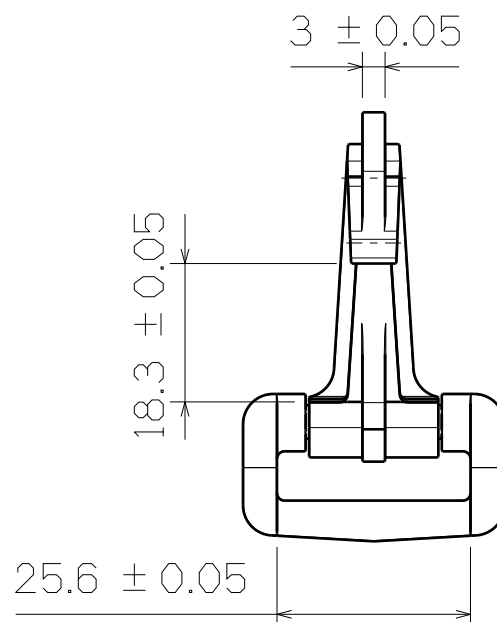
3D View



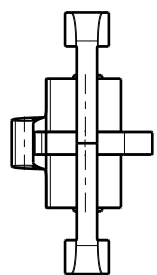
Right View



SF309-25mm



Left View



Bottom View

This drawing is our property. It can't be reproduced or communicated without our written agreement.



SHIN FANG PLASTIC INDUSTRIAL CO., LTD.

DRAWN BY	DATE
DANIEL CHEN	1998/8/5
CHECKED BY	DATE
JIMMY CHEN	1998/8/7
DESIGNED BY	DATE
RD	1998/8

DRAWING TITLE			
SNAP HOOK			
SIZE	DRAWING NUMBER	REV	
A3	SF309-25MM	X	
SCALE	1:1	MATERIAL	POM
SHEET	1/1		

H

G

B

A