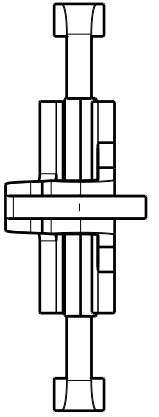


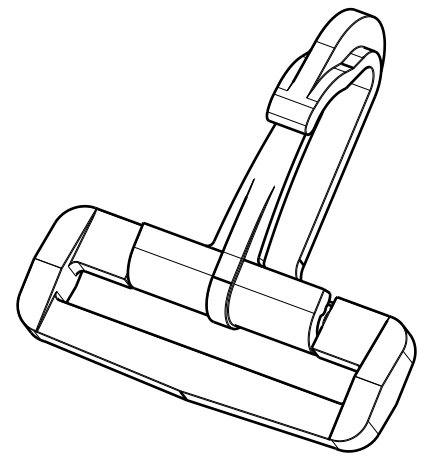
H G F E D C B A

4

4



Top View

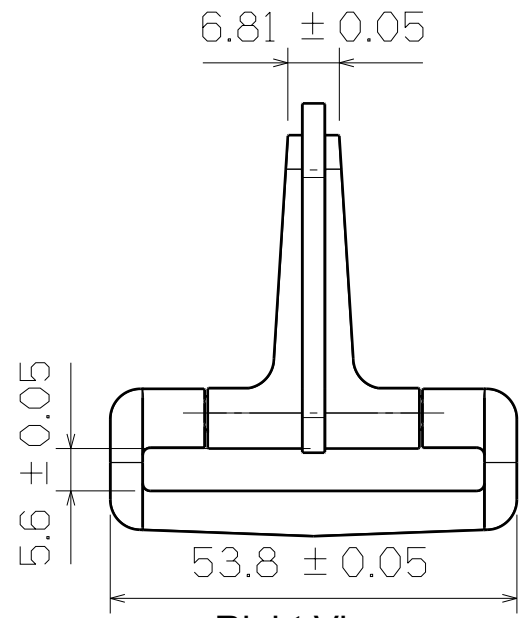


3D View

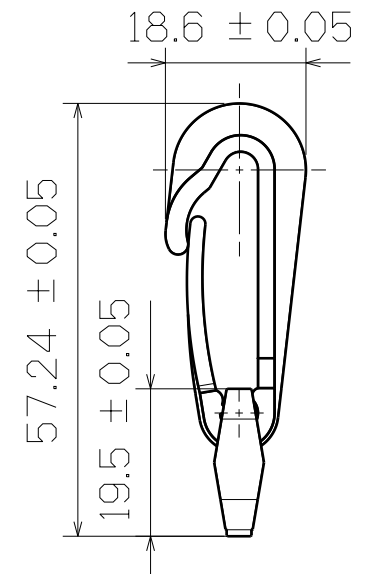


3

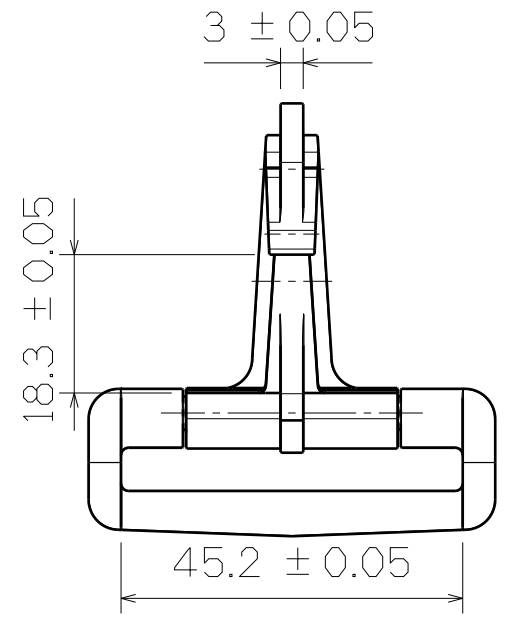
3



Right View



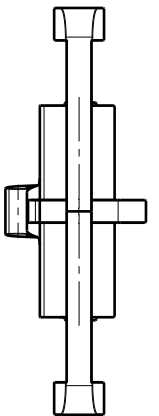
SF308-45mm



Left View

2

2



Bottom View

This drawing is our property.  
It can't be reproduced  
or communicated without  
our written agreement.



**SHIN FANG PLASTIC  
INDUSTRIAL CO., LTD.**

DRAWN BY	DATE
<b>DANIEL CHEN</b>	1998/7/15
CHECKED BY	DATE
<b>JIMMY CHEN</b>	1998/7/17
DESIGNED BY	DATE
<b>RD</b>	1998/7

DRAWING TITLE			
<b>SNAP HOOK</b>			
SIZE	DRAWING NUMBER	REV	
<b>A3</b>	<b>SF308-45MM</b>	<b>X</b>	
SCALE	1:1	MATERIAL	POM
SHEET	1/1		

1

1

H G F E D C B A