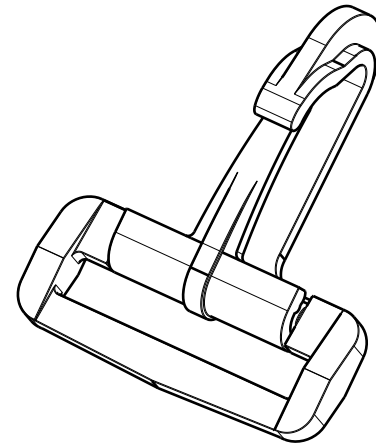
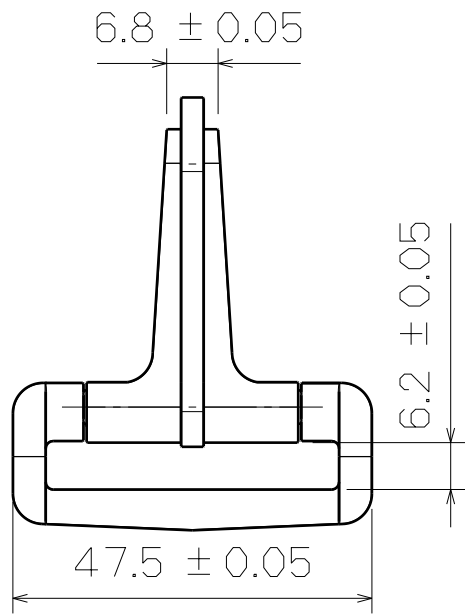


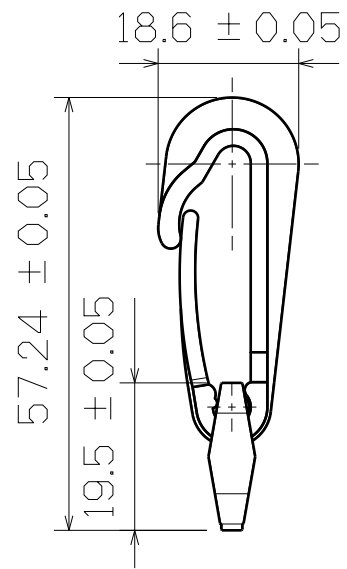
Top View



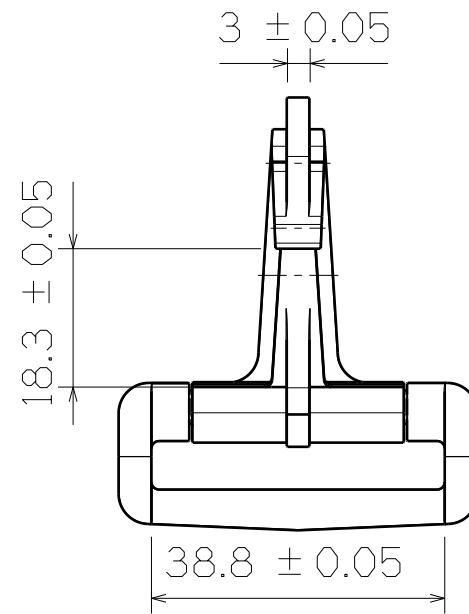
3D View



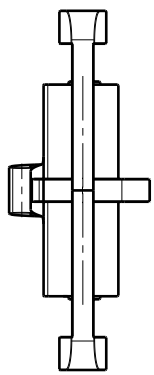
Right View



SF308-38mm



Left View



Bottom View

This drawing is our property.  
It can't be reproduced  
or communicated without  
our written agreement.



DRAWING TITLE

SNAP HOOK

DRAWN BY	DATE
DANIEL CHEN	1998/7/6
CHECKED BY	DATE
JIMMY CHEN	1998/7/12
DESIGNED BY	DATE
RD	1998/7

SIZE	DRAWING NUMBER	REV			
A3	SF308-38MM	X			
SCALE	1:1	MATERIAL	POM	SHEET	1/1