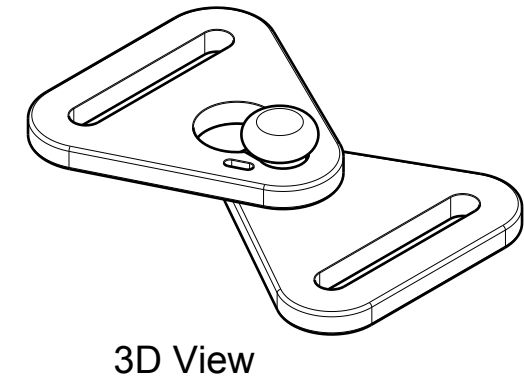
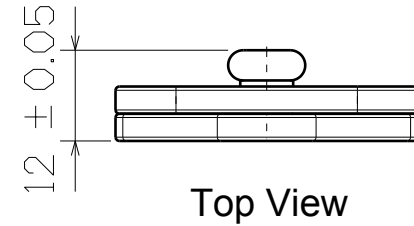


H G F E D C B A

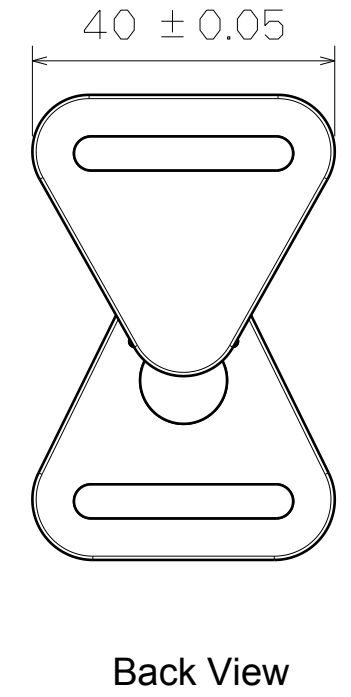
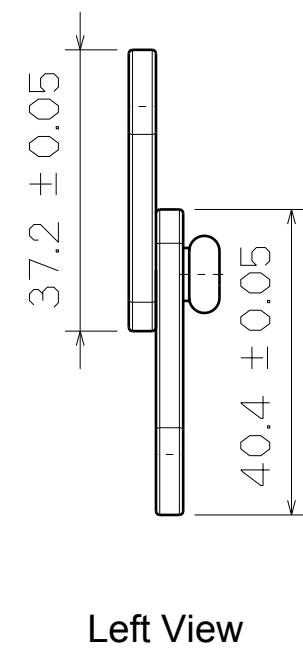
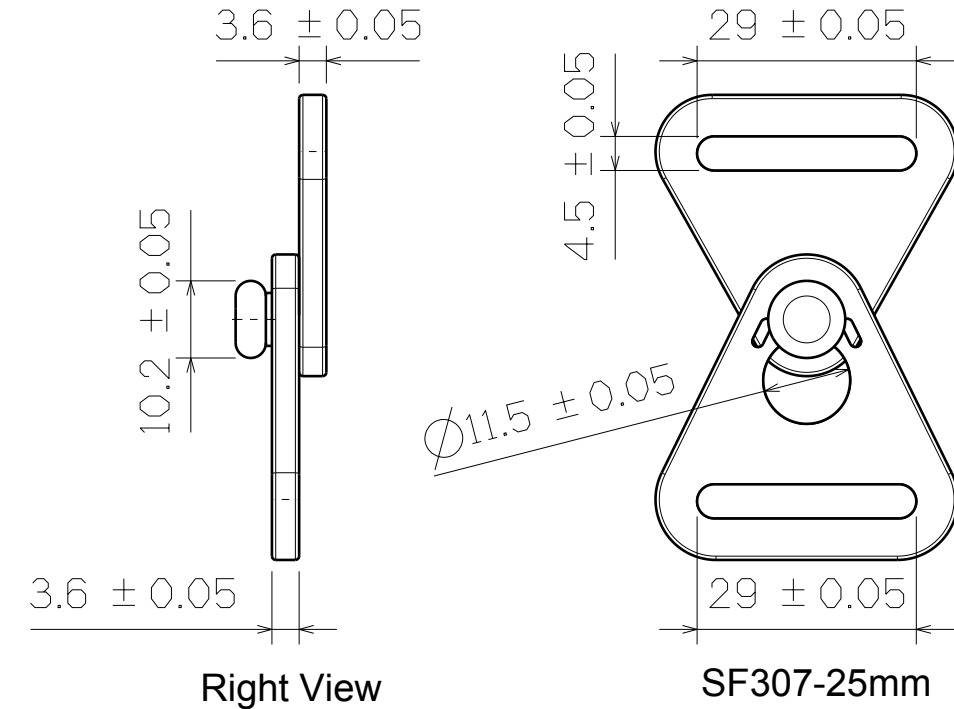
4

4



3

3



2

2

This drawing is our property.
It can't be reproduced
or communicated without
our written agreement.



**SHIN FANG PLASTIC
INDUSTRIAL CO., LTD.**

DRAWN BY		DATE		DRAWING TITLE		
DANIEL CHEN		1997/5/9		GASLLUSES HOOK		
CHECKED BY		DATE		SIZE	DRAWING NUMBER	REV
JIMMY CHEN		1997/5/10		A3	SF307-25MM	X
DESIGNED BY		DATE		SCALE	MATERIAL	SHEET
RD		1997/5		1:1	NYLON	1/1

H G B A

1

1