

H G F E D C B A

4

3

2

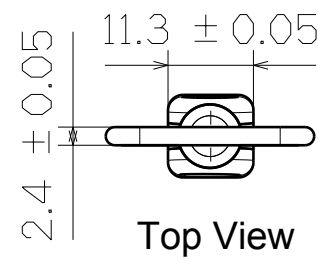
1

4

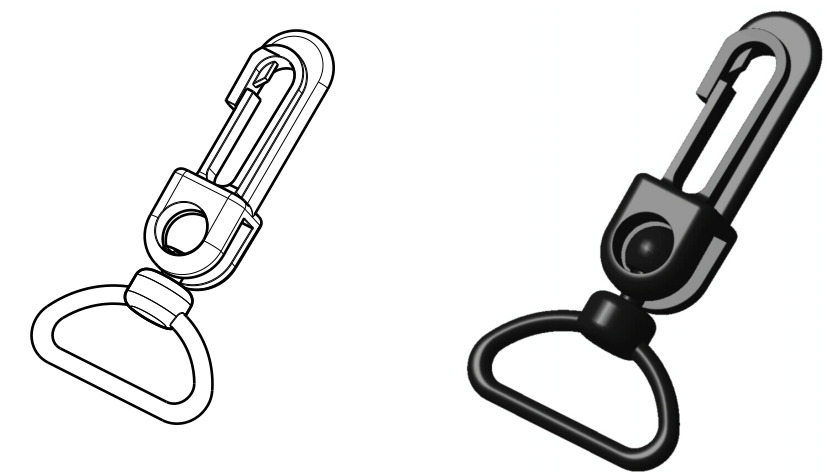
3

2

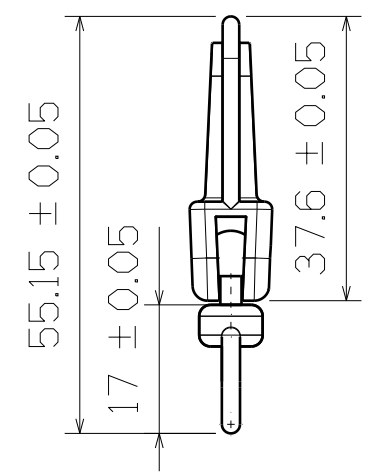
1



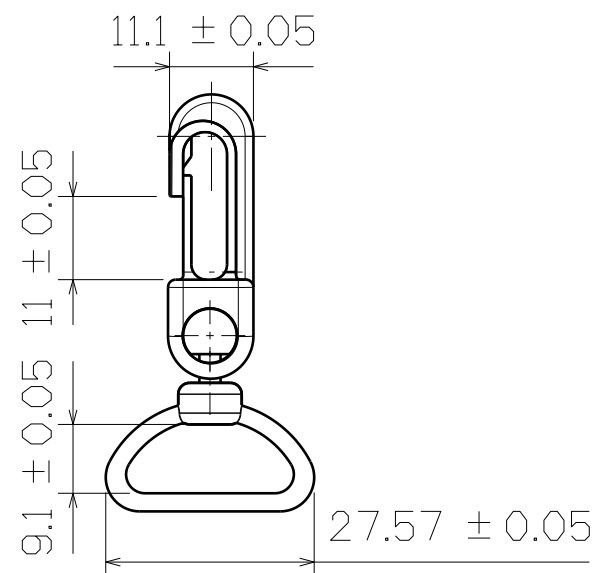
Top View



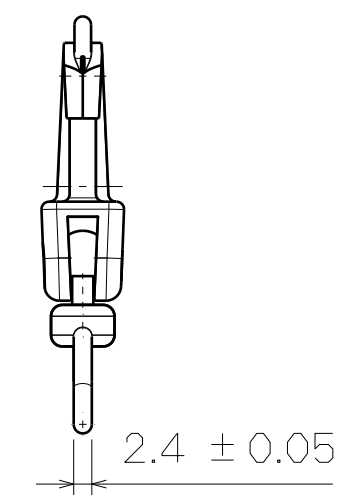
3D View



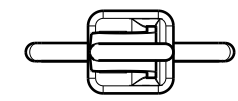
Right View



SF303-7



Left View



Bottom View

This drawing is our property.  
It can't be reproduced  
or communicated without  
our written agreement.

 **SHIN FANG PLASTIC  
INDUSTRIAL CO., LTD.**

DRAWN BY		DATE		DRAWING TITLE			
DANIEL CHEN		1995/2/15		SMALL HOOK			
CHECKED BY		DATE		SIZE	DRAWING NUMBER		REV
JIMMY CHEN		1995/2/17		A3	SF303-7		X
DESIGNED BY		DATE		SCALE	MATERIAL	SHEET	
RD		1995/2		1:1	POM	1/1	

H G F E D C B A