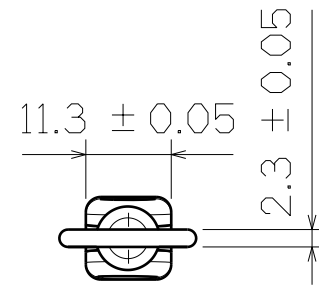


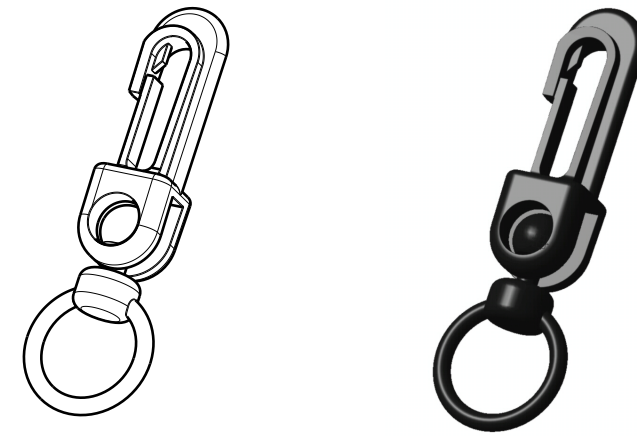
H G F E D C B A

4

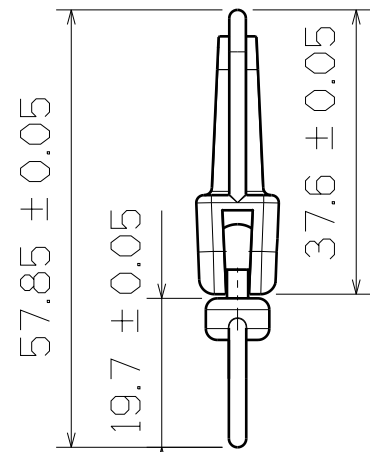
4



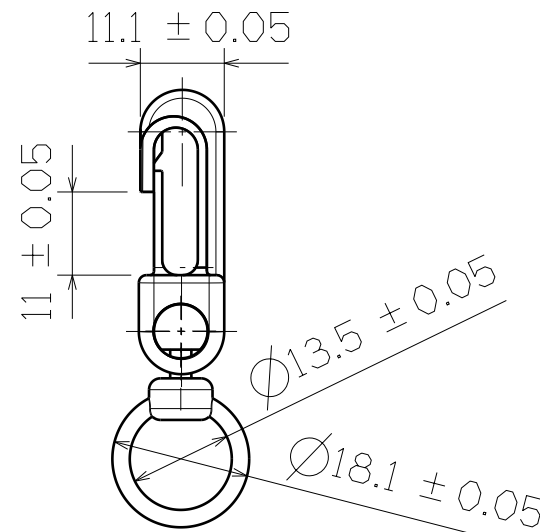
Top View



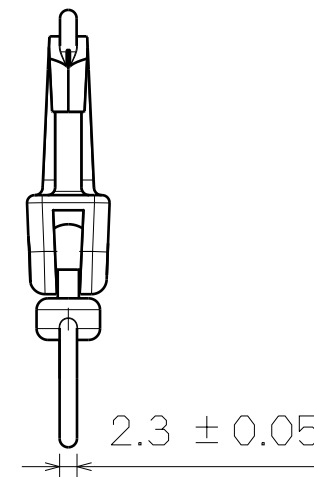
3D View



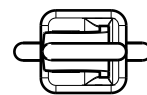
Right View



SF303-4



Left View



Bottom View

This drawing is our property.
It can't be reproduced
or communicated without
our written agreement.

 **SHIN FANG PLASTIC
INDUSTRIAL CO., LTD.**

DRAWING TITLE

SMALL HOOK

| | |
|--------------------|----------|
| DRAWN BY | DATE |
| DANIEL CHEN | 1995/2/5 |
| CHECKED BY | DATE |
| JIMMY CHEN | 1995/2/7 |
| DESIGNED BY | DATE |
| RD | 1995/2 |

| | | |
|------------|----------------|------------|
| SIZE | DRAWING NUMBER | REV |
| A3 | SF303-4 | X |
| SCALE | MATERIAL | SHEET |
| 1:1 | POM | 1/1 |

3

3

2

2

1

1

H G F E D C B A