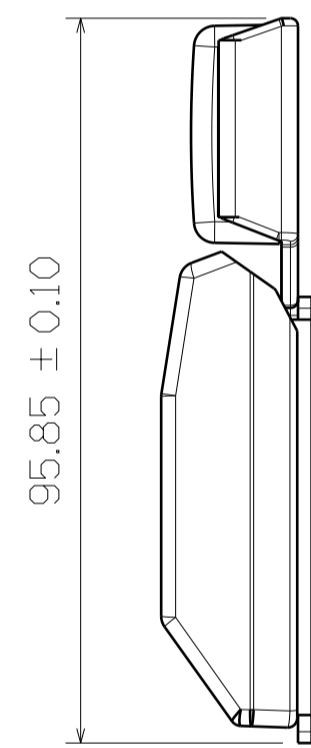
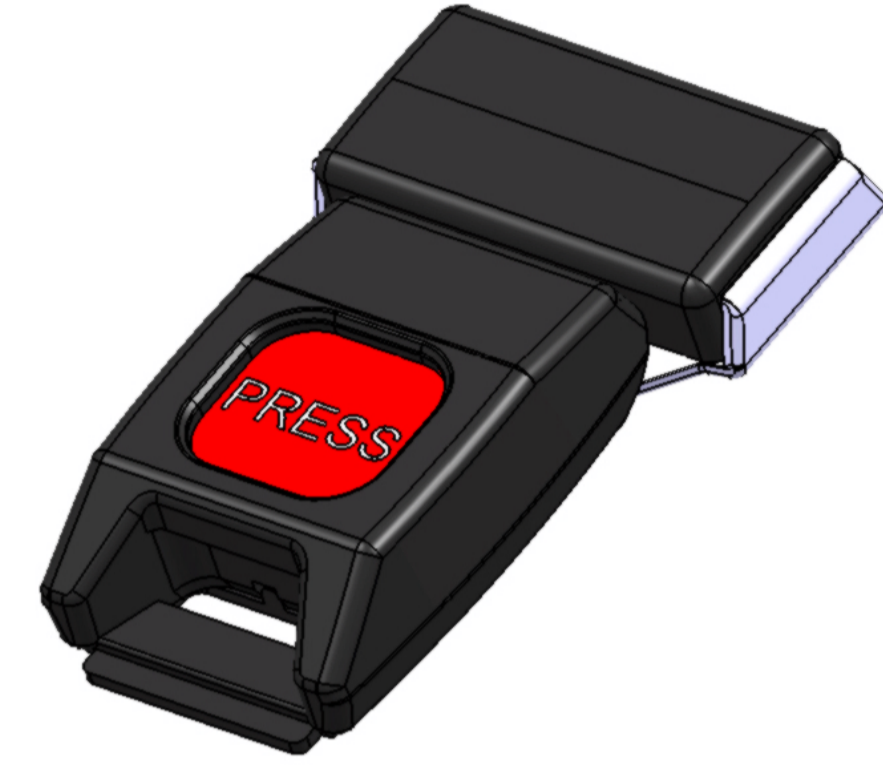


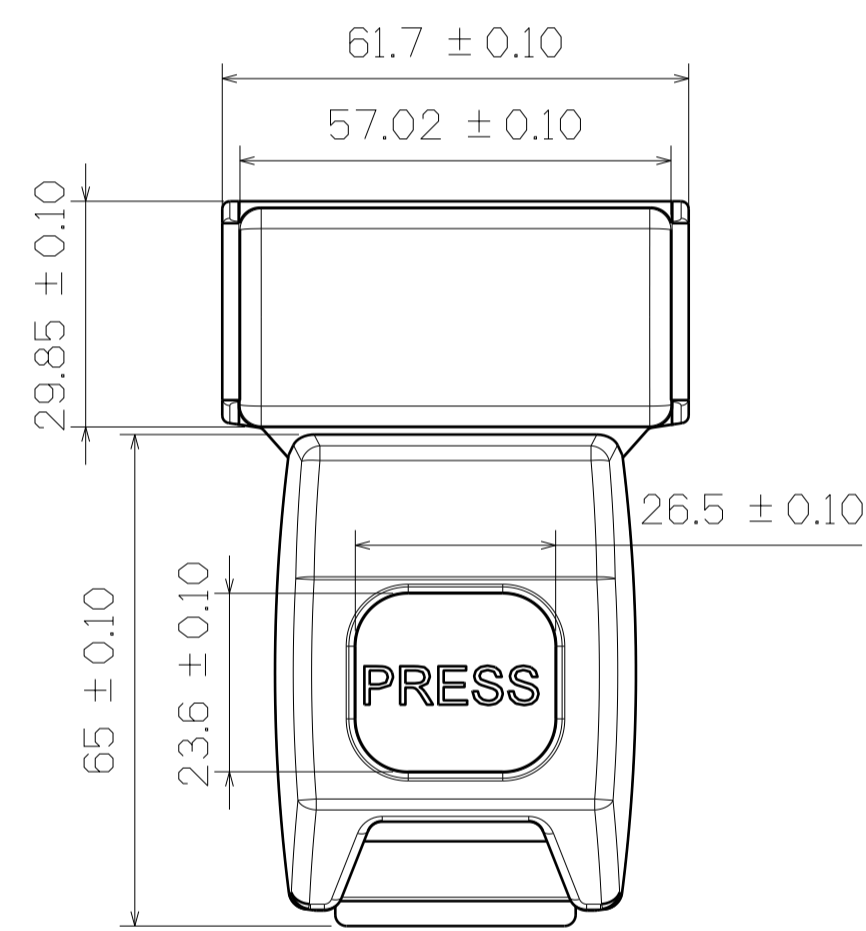
Top View



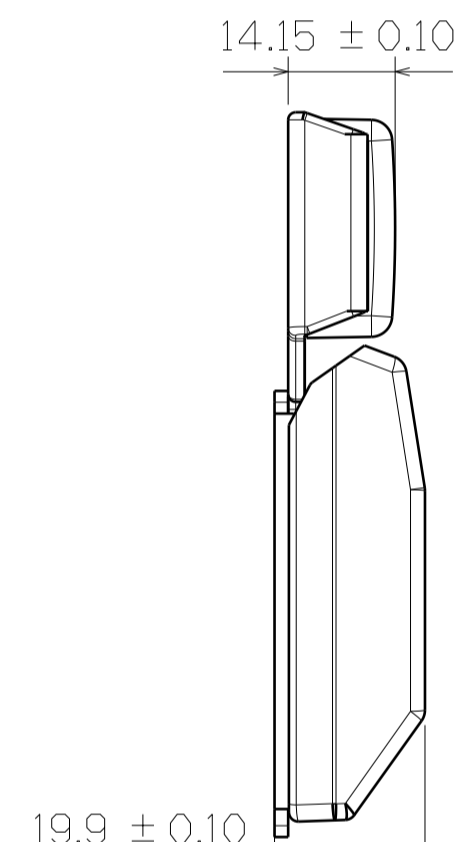
3D View



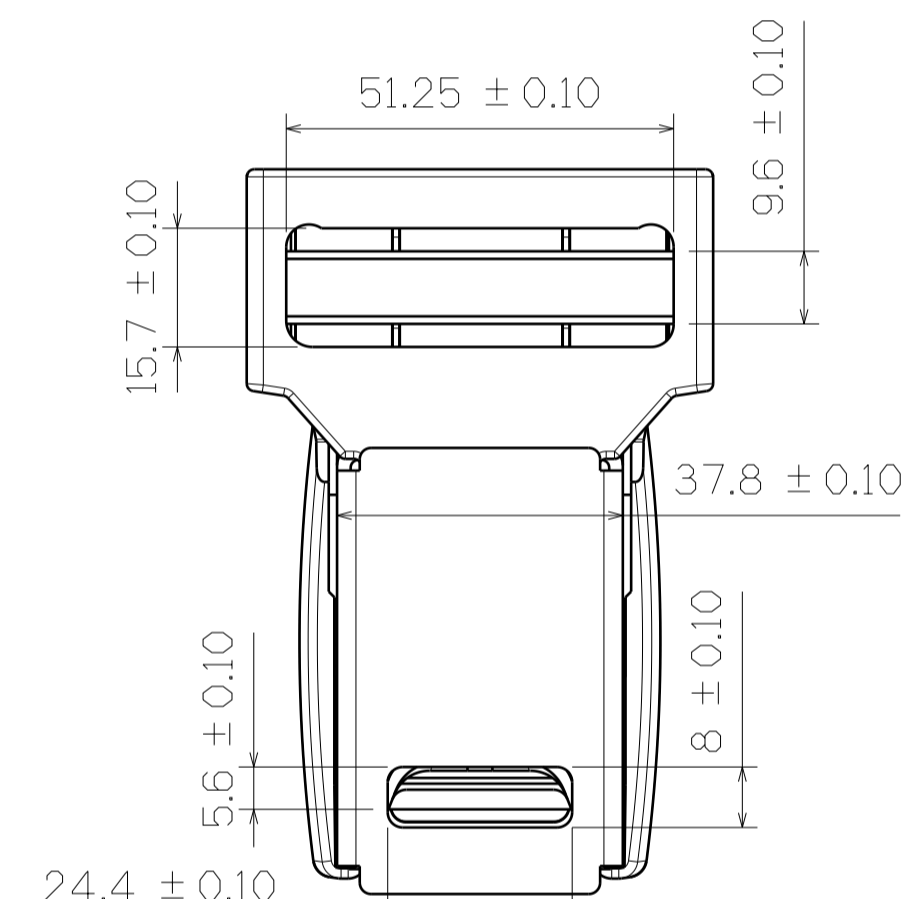
Right View



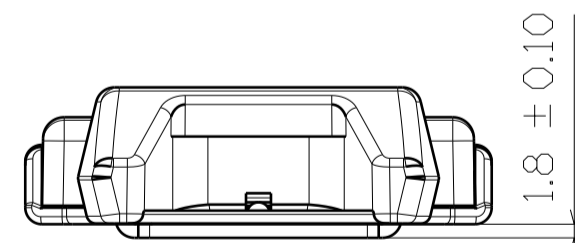
SF237




Left View



Back View



Bottom View

This drawing is our property. It can't be reproduced or communicated without our written agreement.					
DRAWING TITLE		Seat Belt Buckle			
DRAWN BY	DATE	SIZE	DRAWING NUMBER	REV	
DANIEL CHEN	2009/5/8	A1	SF237	X	
CHECKED BY	DATE	SCALE	MATL.	SHEET	
JIMMY CHEN	2009/5/8	1:1	ABS	1/1	
DESIGNED BY	DATE				
RD	2009/5				