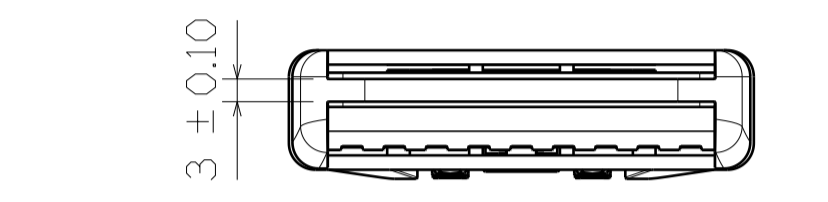
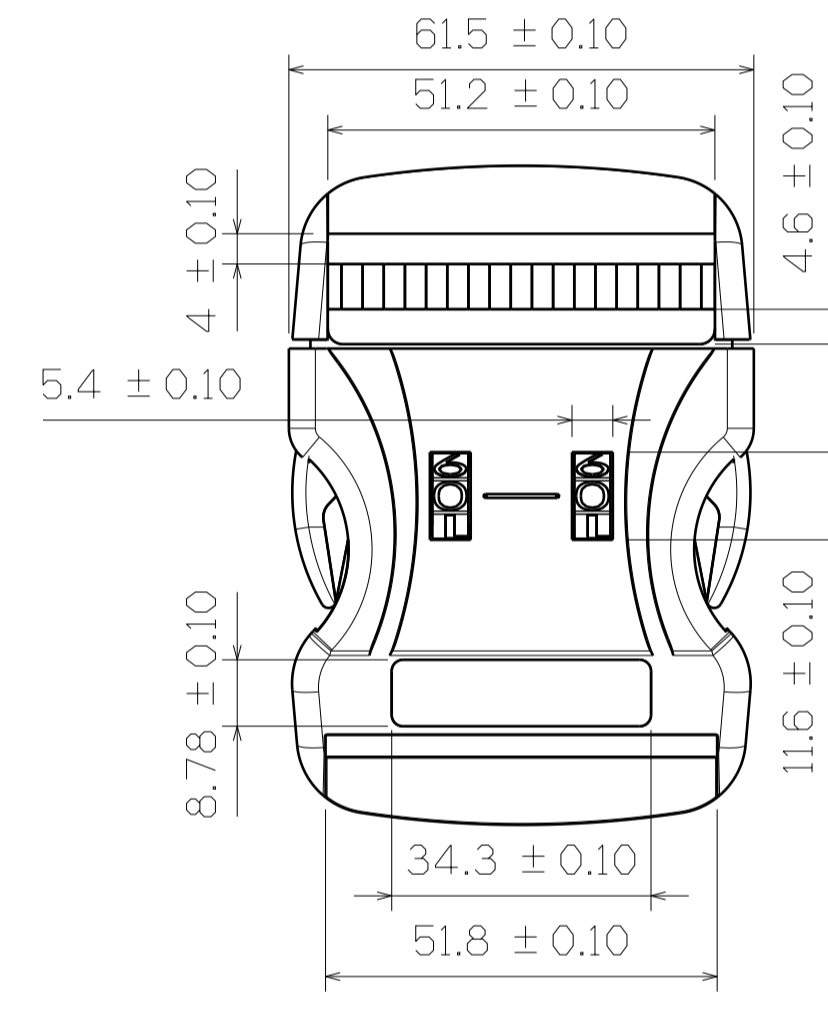


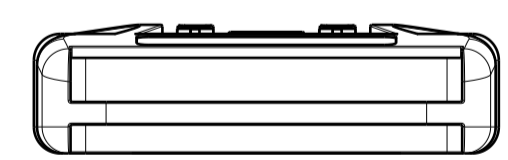
Right View



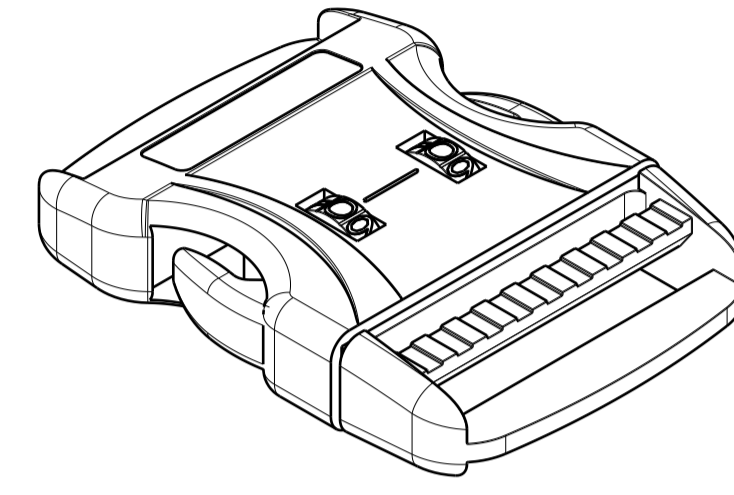
Top View



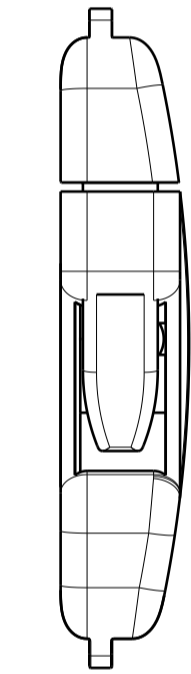
SF236



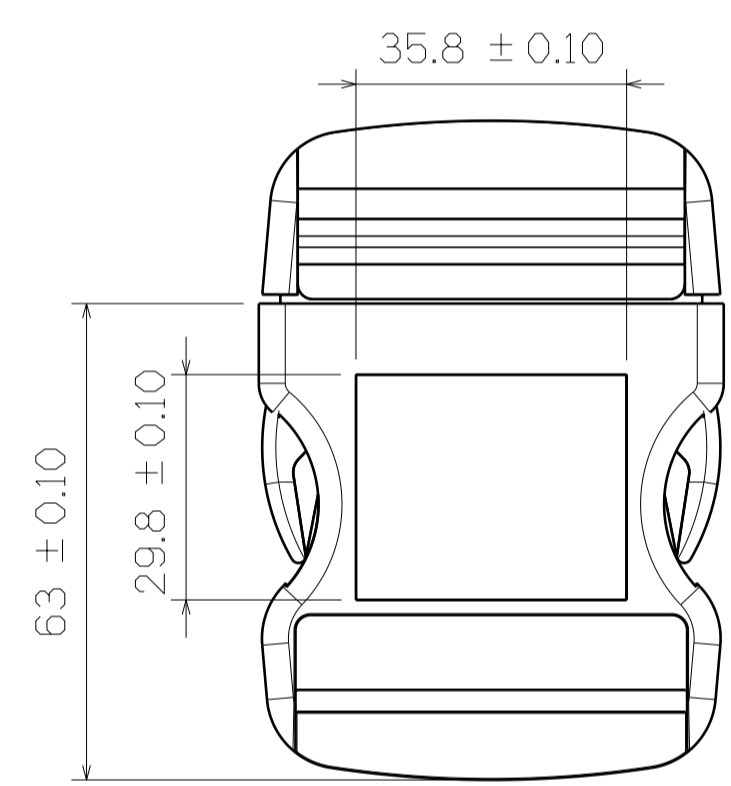
Bottom View



3D View



Left View



Back View



This drawing is our property. It can't be reproduced or communicated without our written agreement.					
DRAWN BY		DATE		DRAWING TITLE	
DANIEL CHEN		2009/8/15		Lock Buckle	
CHECKED BY		DATE		SIZE	DRAWING NUMBER
JIMMY CHEN		2009/8/15		A1	SF236
DESIGNED BY		DATE		SCALE	MATERIAL
RD		2009/8		1:1	POM
				SHEET	1/1