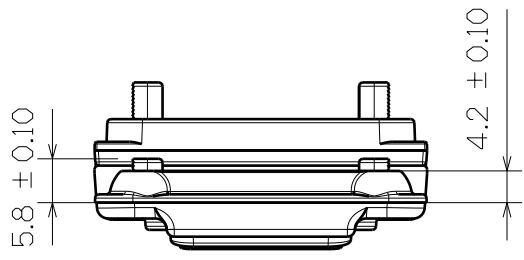


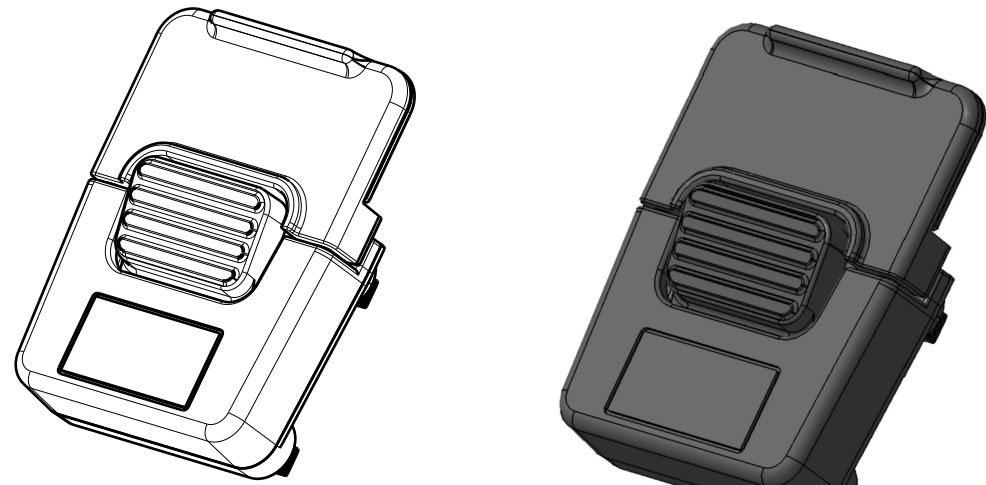
H G F E D C B A

4

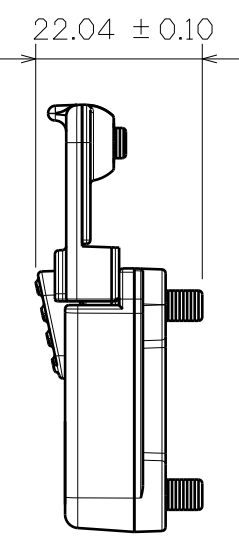
4



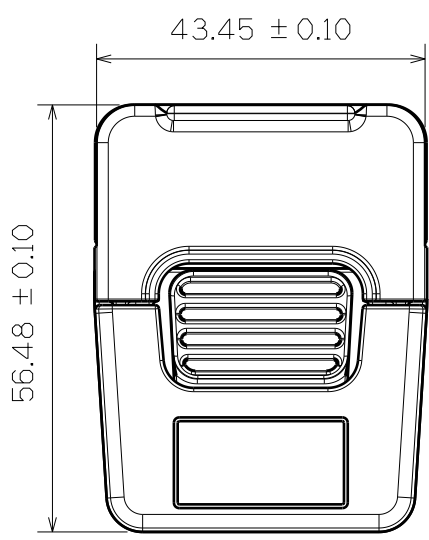
Top View



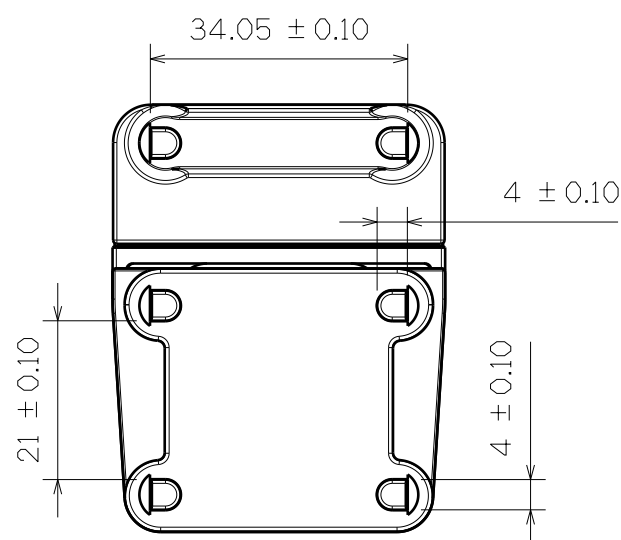
3D View



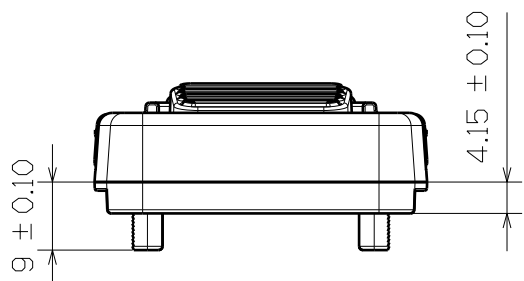
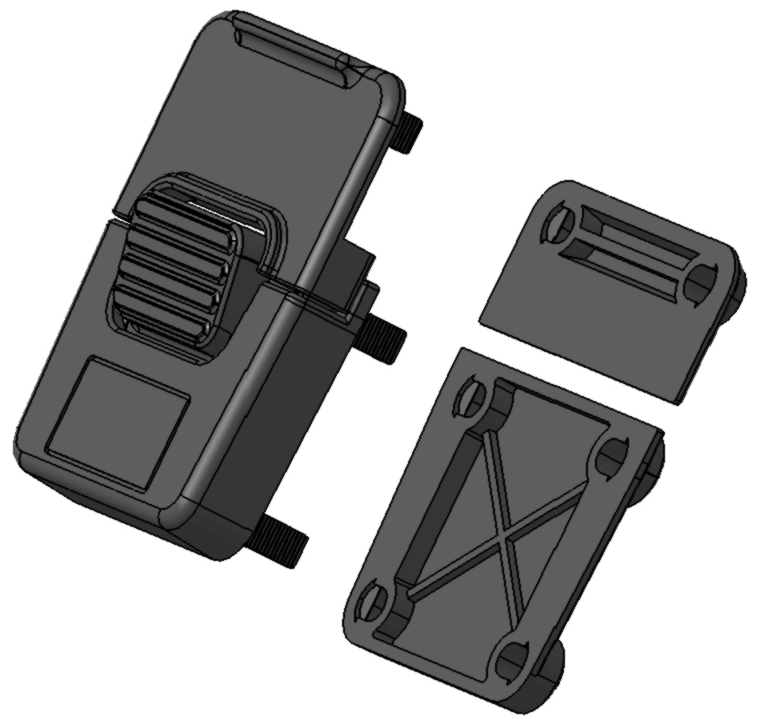
Right View



SF235



Back View



Bottom View

2

2

3

3

1

1

H G F E D C B A

This drawing is our property. It can't be reproduced or communicated without our written agreement.



SHIN FANG PLASTIC INDUSTRIAL CO., LTD.

DRAWN BY	DATE
BRIAN CHEN	2007/9/15
CHECKED BY	DATE
JIMMY CHEN	2007/9/16
DESIGNED BY	DATE
RD	2007/9

DRAWING TITLE			
Center Release Buckle			
SIZE	DRAWING NUMBER	REV	
A3	SF235	X	
SCALE	1:1	MATERIAL	POM
		SHEET	1/1

1