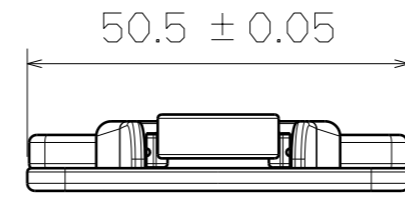
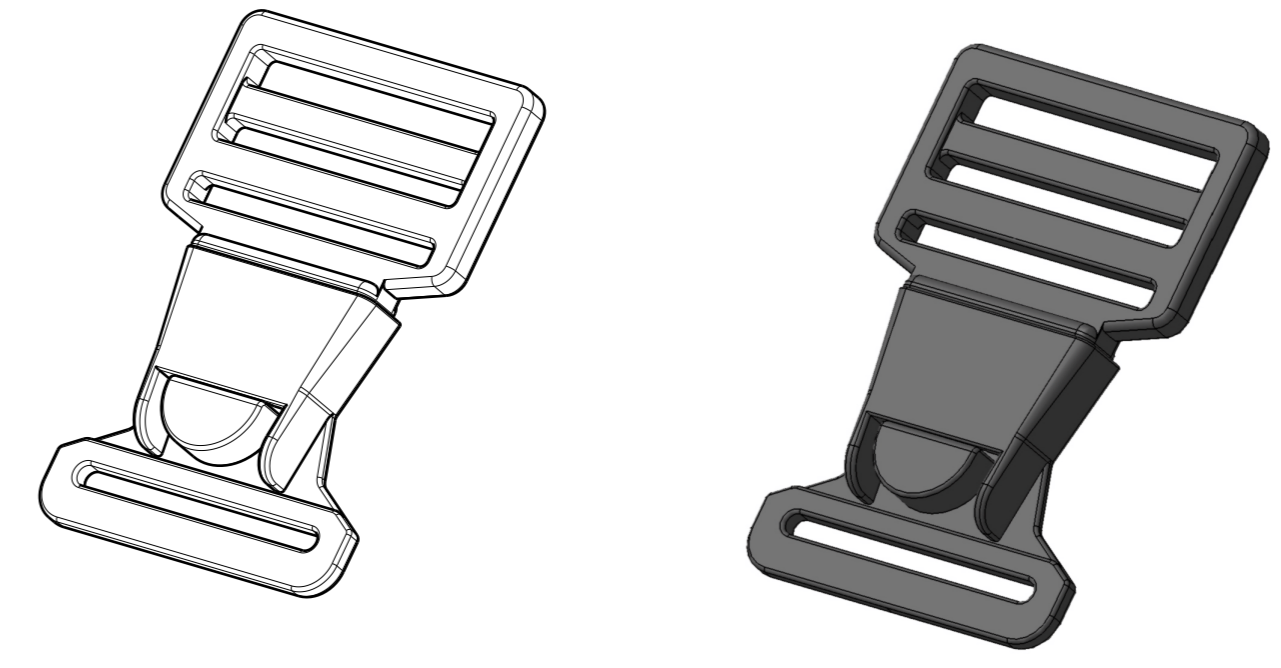


H G F E D C B A

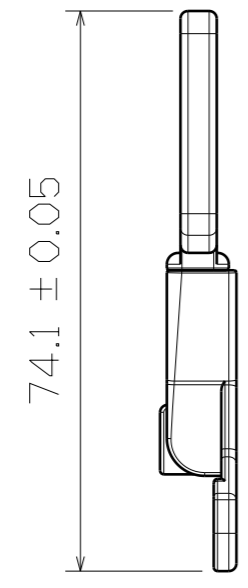
8 7 6 5 4 3 2 1



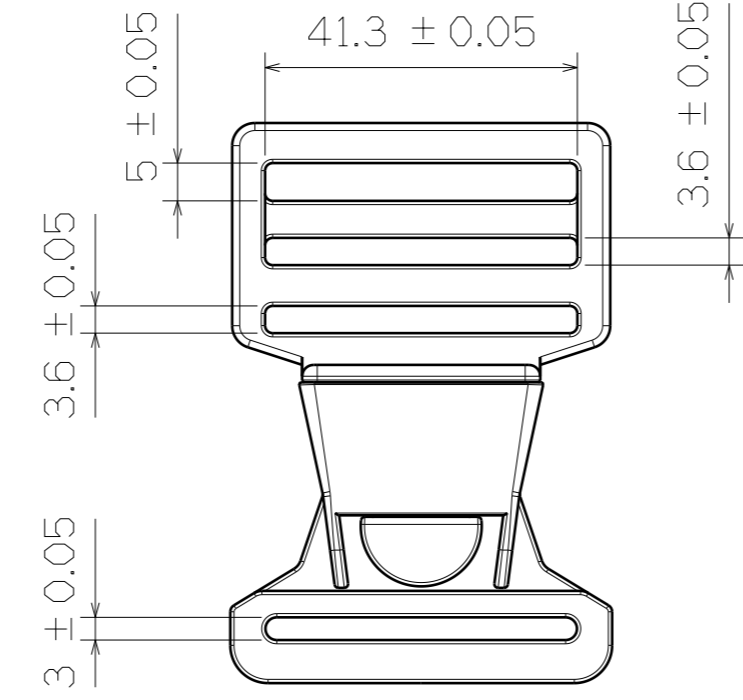
Top View



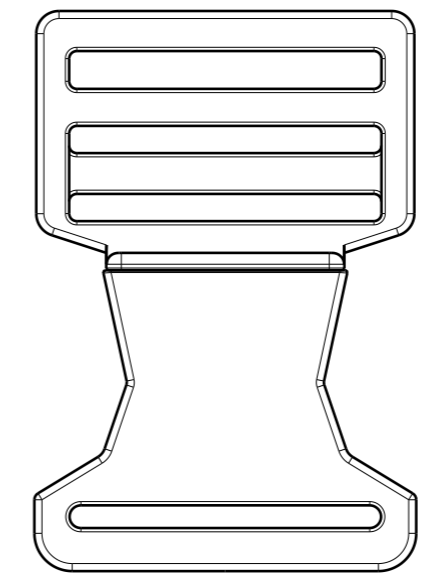
3D View



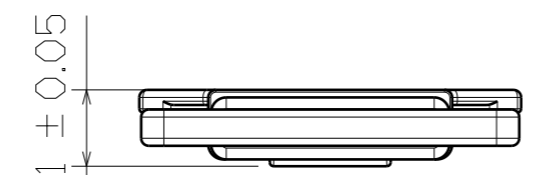
Right View



SF234-38mm



Back View



Bottom View

This drawing is our property. It can't be reproduced or communicated without our written agreement.					
DRAWN BY		DATE		DRAWING TITLE	
BRIAN CHEN		2007/2/25		Center Release Buckle	
CHECKED BY		DATE		SIZE	DRAWING NUMBER
JIMMY CHEN		2007/2/26		A2	SF234-38mm
DESIGNED BY		DATE		SCALE	MATERIAL
RD		2007/2		1:1	POM
				SHEET	1/1

H G B A