

H

G

F

E

D

C

B

A

8

7

6

5

4

3

2

1

8

7

6

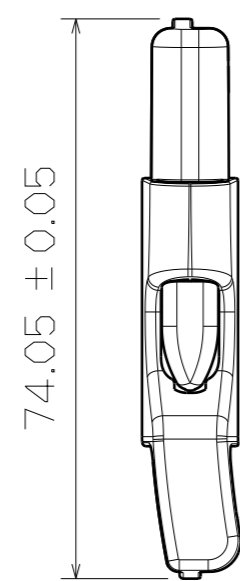
5

4

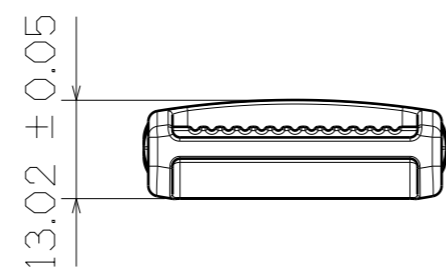
3

2

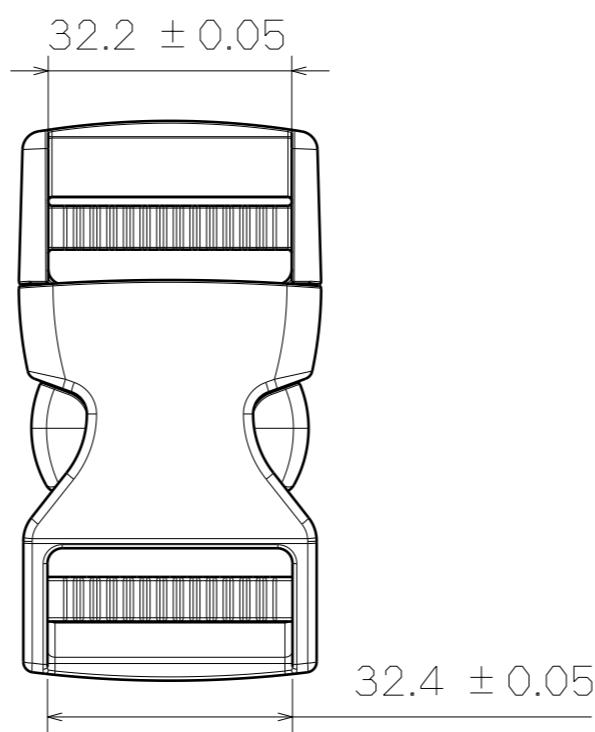
1



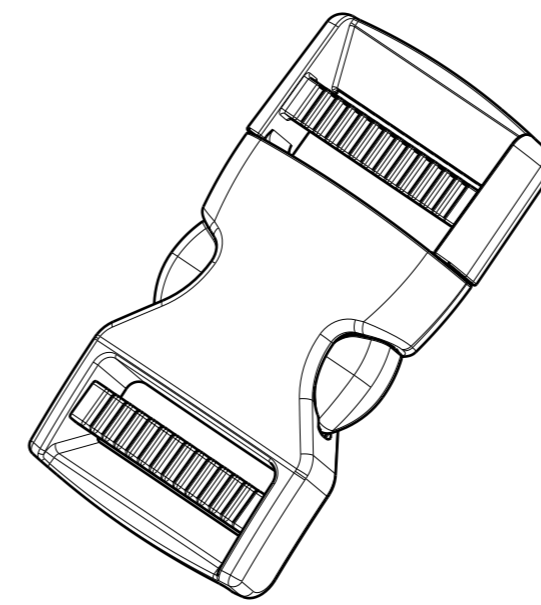
Right View



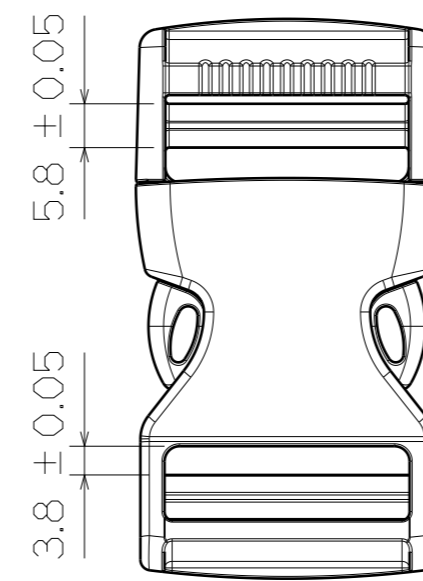
Top View



SF232-32mm



3D View



Back View



Bottom View

This drawing is our property.
It can't be reproduced
or communicated without
our written agreement.

 **SHIN FANG PLASTIC
INDUSTRIAL CO., LTD.**

DRAWN BY		DATE		DRAWING TITLE			
BRIAN CHEN		2007/5/12		Dual Adjustable Side Release Buckle			
CHECKED BY		DATE		SIZE	DRAWING NUMBER		REV
JIMMY CHEN		2007/5/12		A2	SF232-32mm		X
DESIGNED BY		DATE		SCALE	MATERIAL	SHEET	1/1
RD		2007/5		1:1	POM		

H

G

B

A