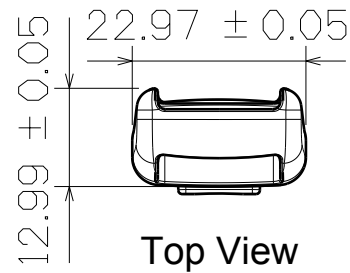
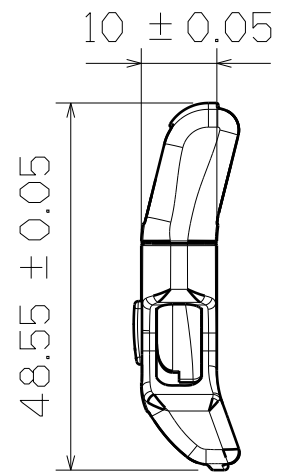


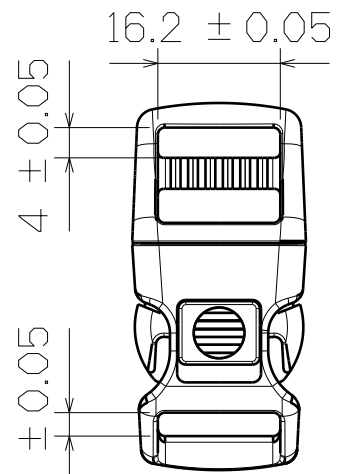
3D View



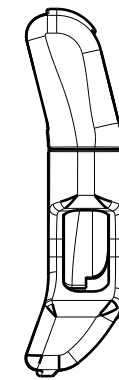
Top View



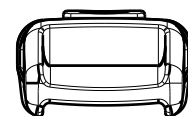
Right View



SF231-16mm



Left View



Bottom View

This drawing is our property.  
It can't be reproduced  
or communicated without  
our written agreement.



DRAWING TITLE

DRAWN BY	DATE
DANIEL CHEN	2008/12/5
CHECKED BY	DATE
JIMMY CHEN	2008/12/7
DESIGNED BY	DATE
RD	2008/12

LOCK BUCKLE		REV
SIZE	DRAWING NUMBER	X
A3	SF231-16MM	
SCALE	1:1	MATERIAL
		POM
SHEET	1/1	