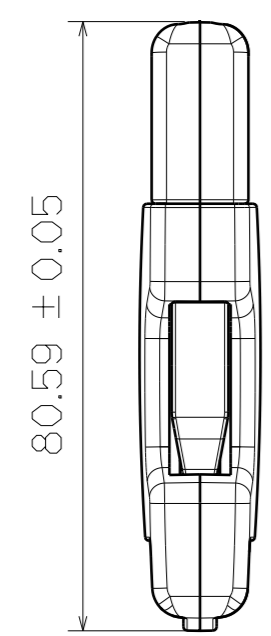


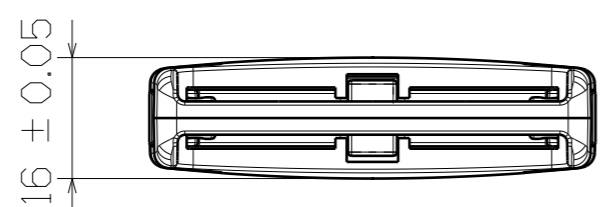
H G F E D C B A

8 7 6 5 4 3 2 1



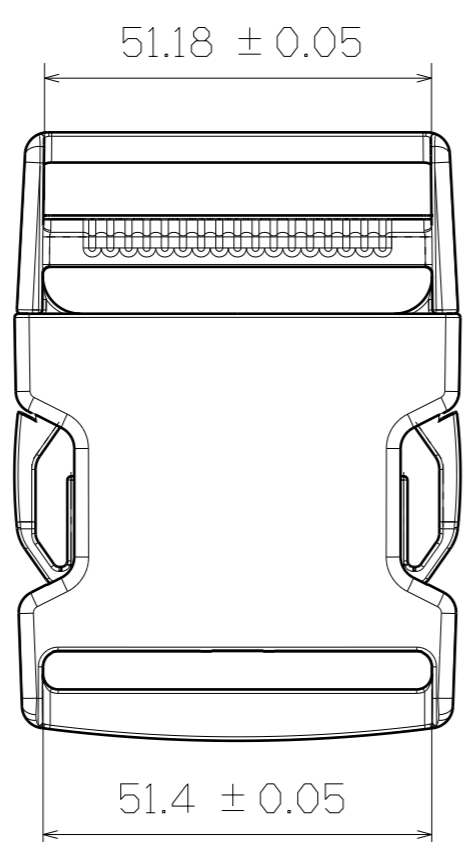
80.59 ± 0.05

Right View



16 ± 0.05

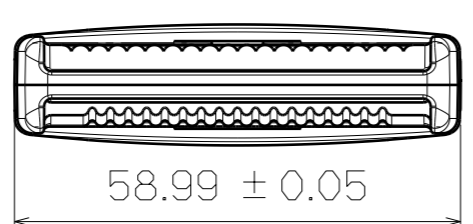
Top View



51.18 ± 0.05

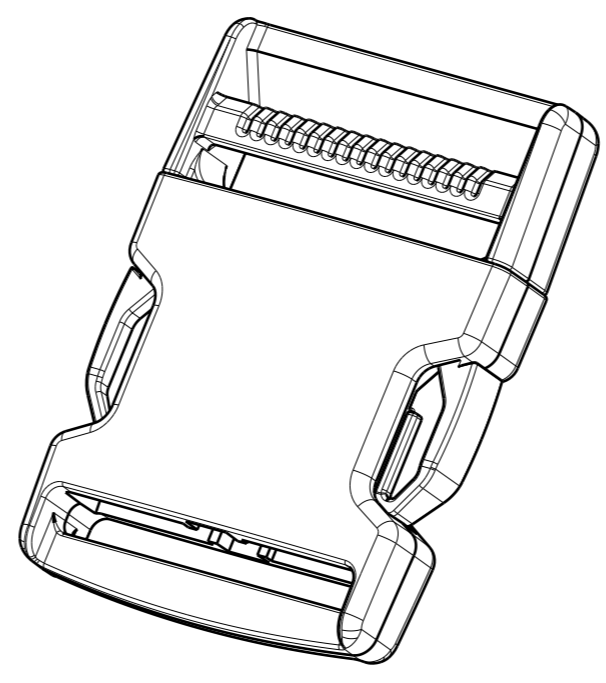
51.4 ± 0.05

SF230-51MM

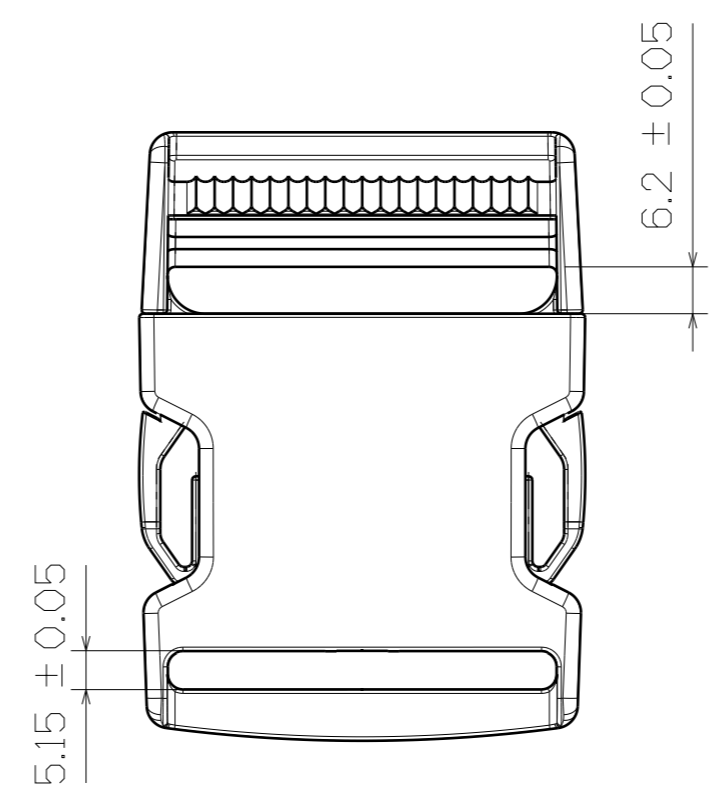
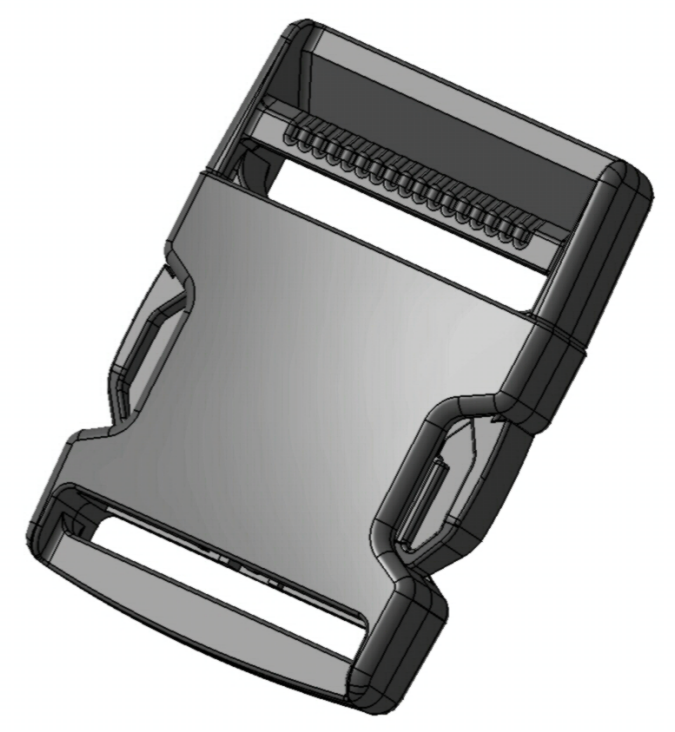


58.99 ± 0.05

Bottom View



3D View



5.15 ± 0.05

6.2 ± 0.05

Back View

This drawing is our property. It can't be reproduced or communicated without our written agreement.



SHIN FANG PLASTIC INDUSTRIAL CO., LTD.

DRAWN BY		DATE		DRAWING TITLE			
BRIAN CHEN		2005/10/8		SIDE RELEASE BUCKLE			
CHECKED BY		DATE		SIZE	DRAWING NUMBER		REV
JIMMY CHEN		2005/10/9		A2	SF230-51MM		X
DESIGNED BY		DATE		SCALE	1:1	MATERIAL	POM
RD		2005/10		SHEET	1/1		

H G F E D C B A