

H G F E D C B A

4

3

2

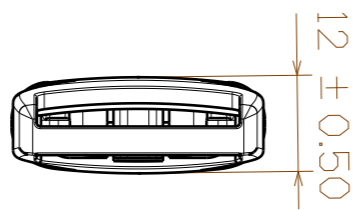
1

4

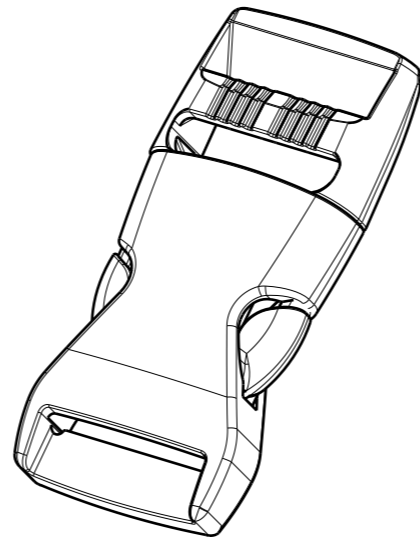
3

2

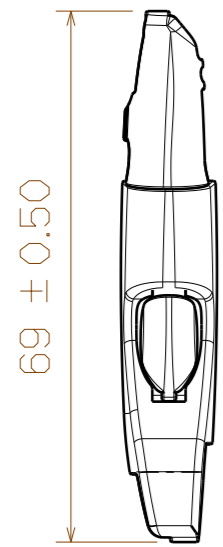
1



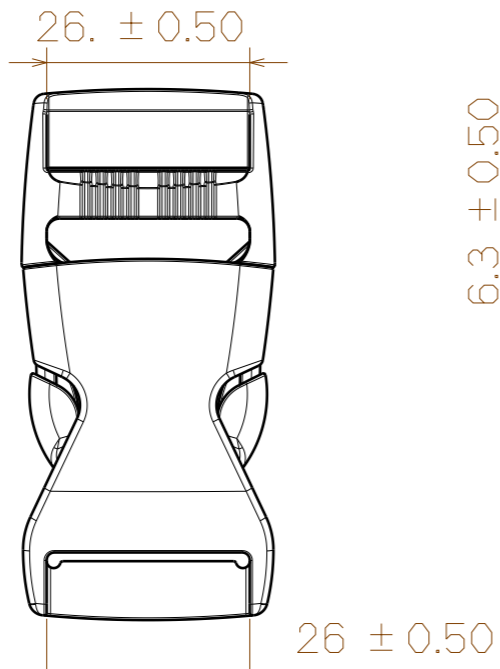
Top View



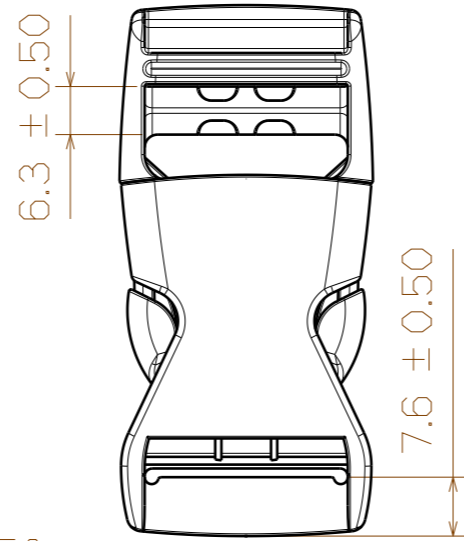
3D View



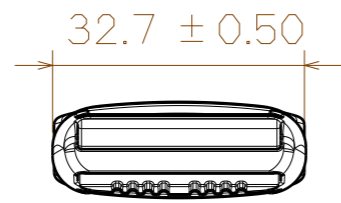
Right Side View



SF229-25mm



Back View



Bottom View

This drawing is our property.
It can't be reproduced
or communicated without
our written agreement.



SHIN FANG PLASTIC INDUSTRIAL CO., LTD.

DRAWN BY DANIEL CHEN		DATE 2005/9/5	DRAWING TITLE SIDE RELEASE BUCKLE		
CHECKED BY JIMMY CHEN		DATE 2005/9/8	SIZE A3	DRAWING NUMBER SF229-25MM	REV X
DESIGNED BY RD		DATE 2005/9	SCALE 1:1	MATERIAL POM	SHEET 1/1

H G F E D C B A