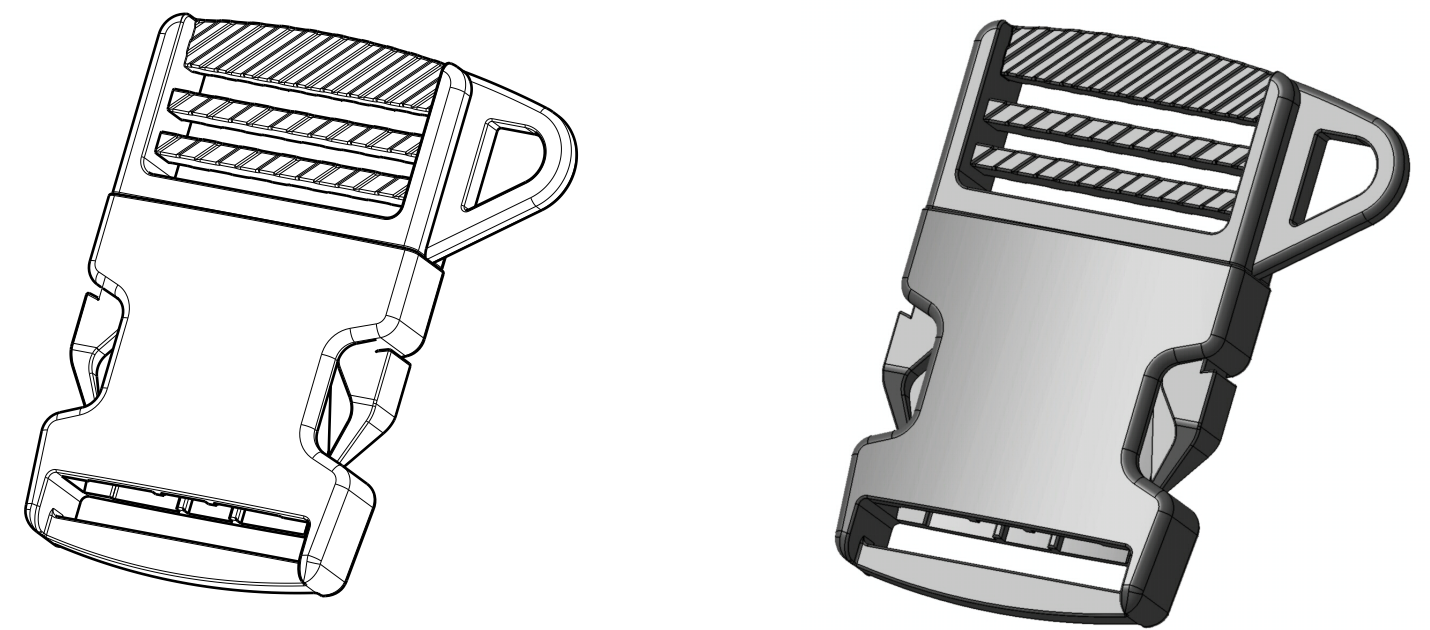
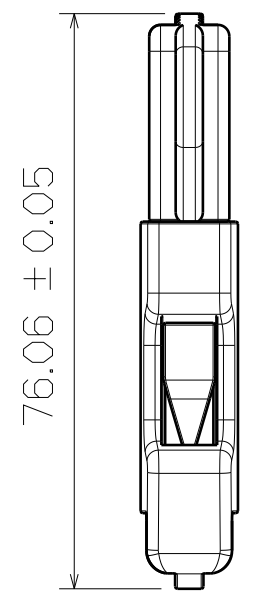


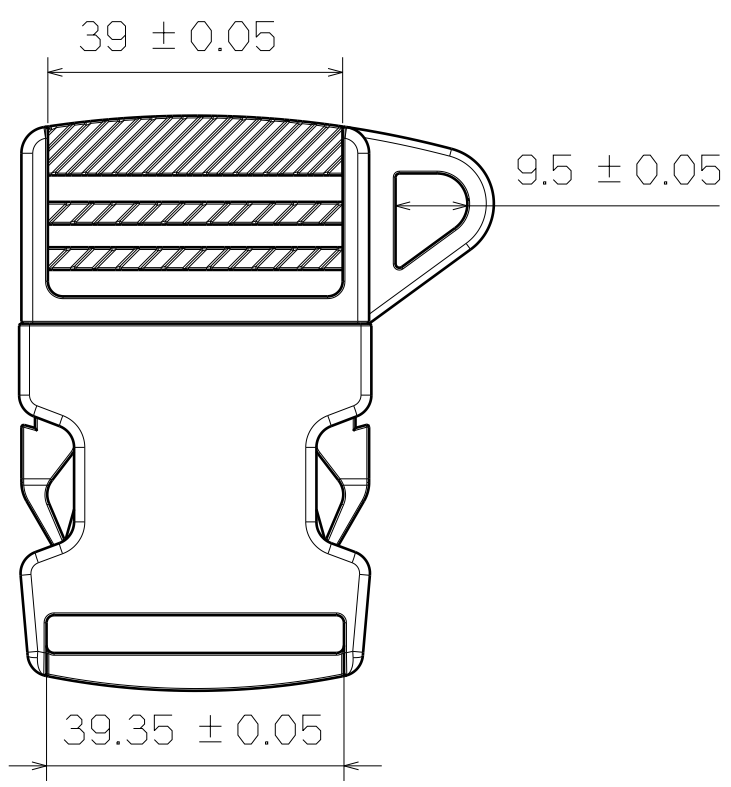
Top View



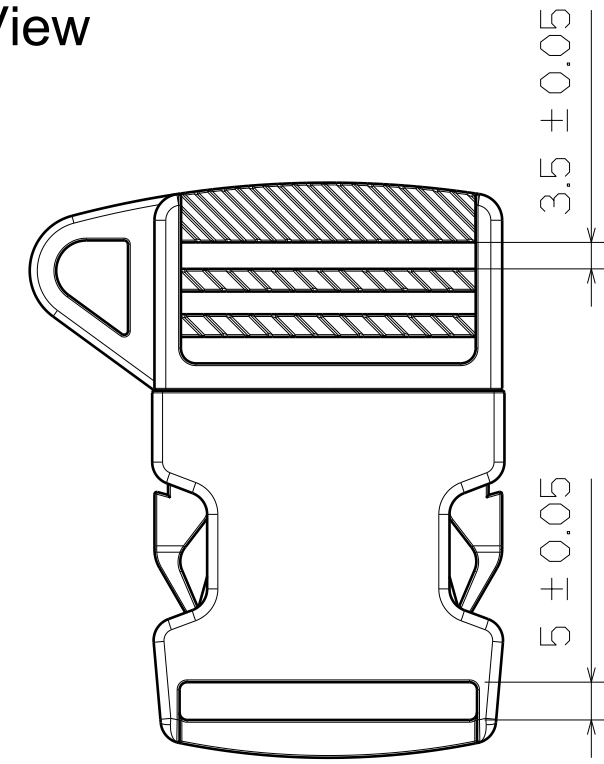
3D View



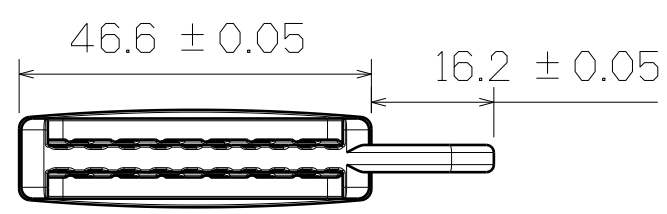
Right View




SF226-38mm



Back View



Bottom View

This drawing is our property. It can't be reproduced or communicated without our written agreement.		 SHIN FANG PLASTIC INDUSTRIAL CO., LTD.		
DRAWN BY BRIAN CHEN		DATE 1995/9/16		DRAWING TITLE Side Release Buckle
CHECKED BY JIMMY CHEN		DATE 1995/9/18		
DESIGNED BY RD		DATE 1995/9		SIZE A3
SCALE 1:1		MATERIAL POM		REV X
SHEET 1/1		DRAWING NUMBER SF226-38MM		