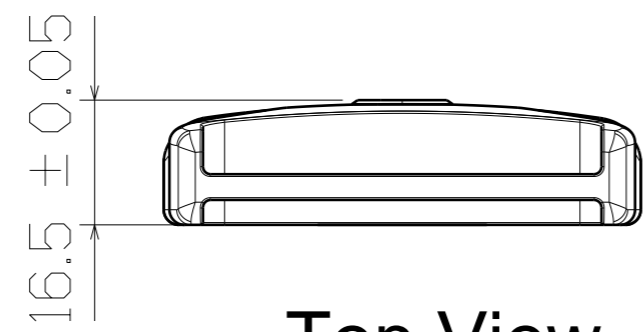
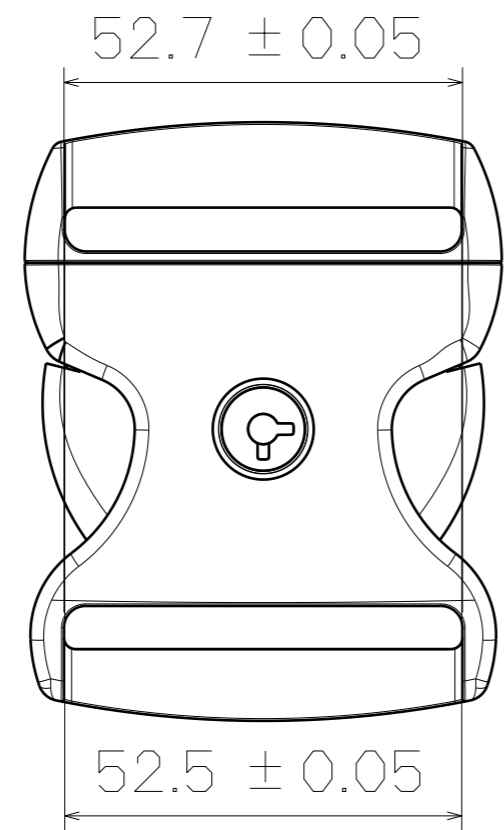


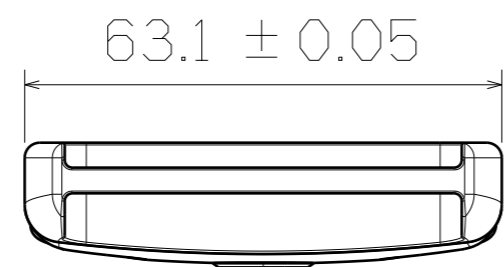
Right View



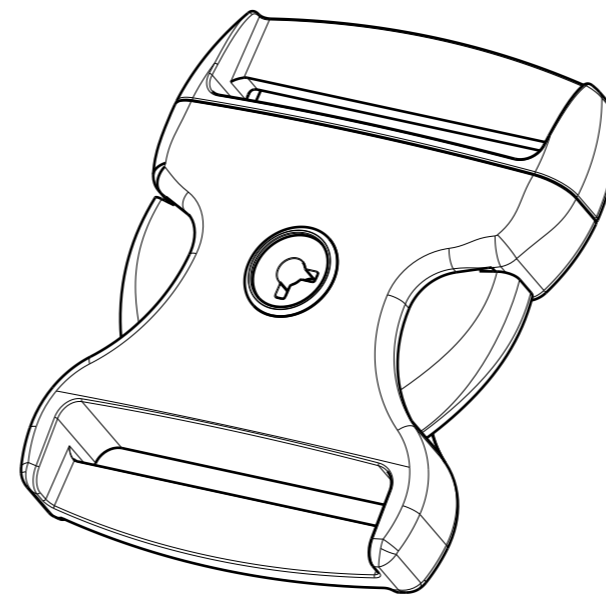
Top View



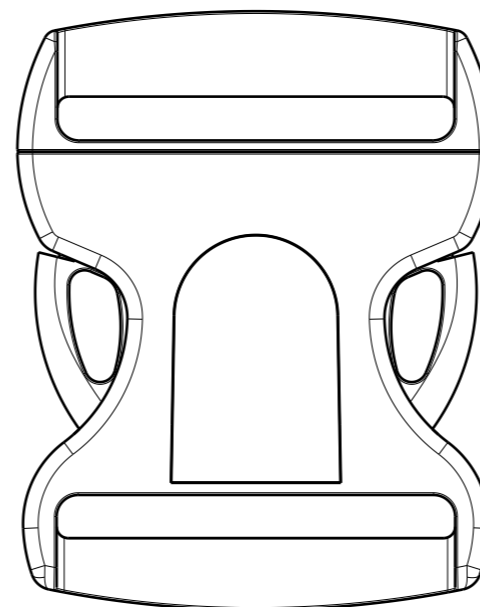
SF224-51mm



Bottom View



3D View



Back View



This drawing is our property.  
It can't be reproduced  
or communicated without  
our written agreement.

**SHIN FANG PLASTIC INDUSTRIAL CO., LTD.**

DRAWING TITLE

DRAWN BY	DATE
BRIAN CHEN	1995/9/5
CHECKED BY	DATE
JIMMY CHEN	1995/9/8
DESIGNED BY	DATE
RD	1995/9

SIDE RELEASE BUCKLE/KEY		REV
SIZE	DRAWING NUMBER	X
A2	SF224-51MM	
SCALE	1:1	MATERIAL POM SHEET 1/1