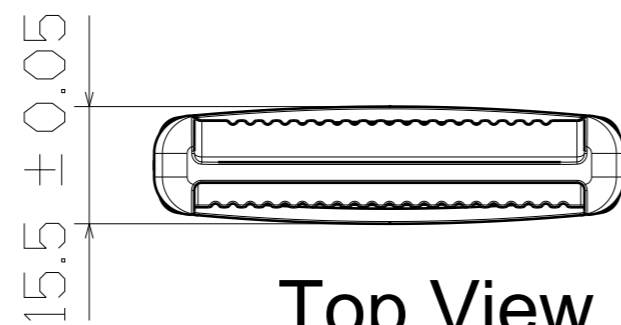


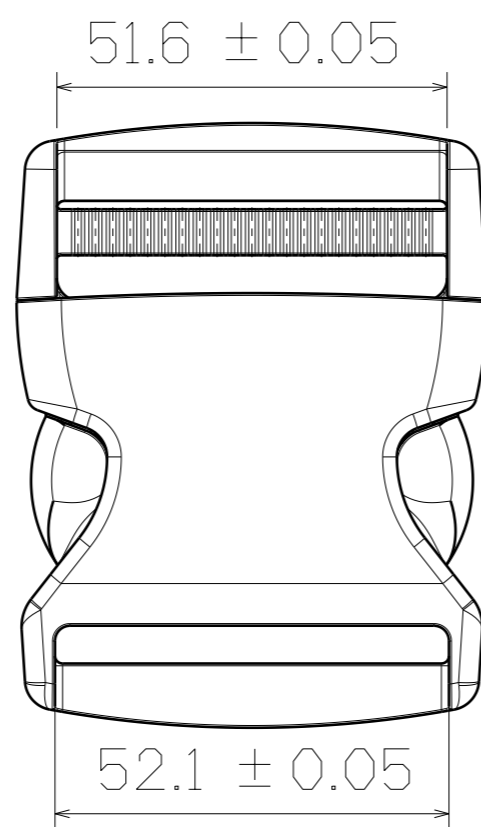
80 ± 0.05

Right View



15.5 ± 0.05

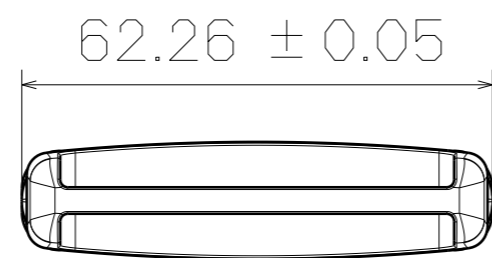
Top View



51.6 ± 0.05

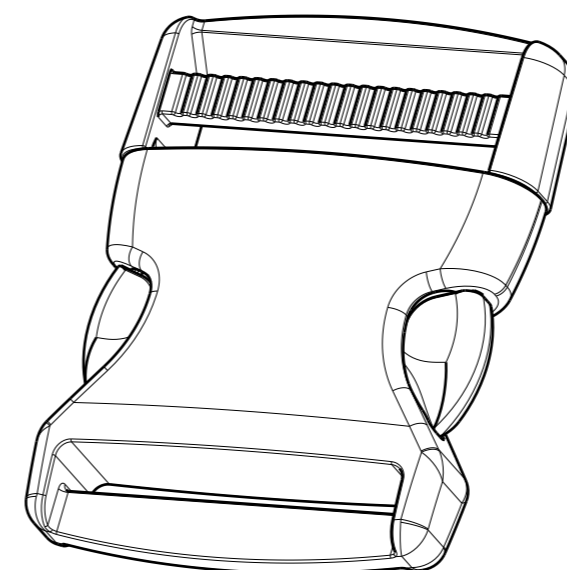
52.1 ± 0.05

SF223-51mm

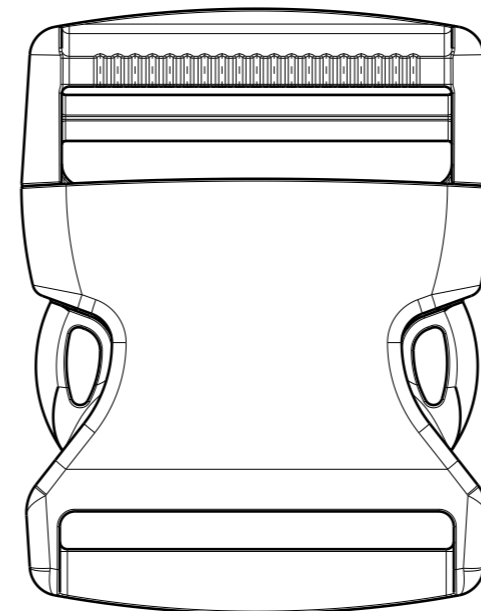
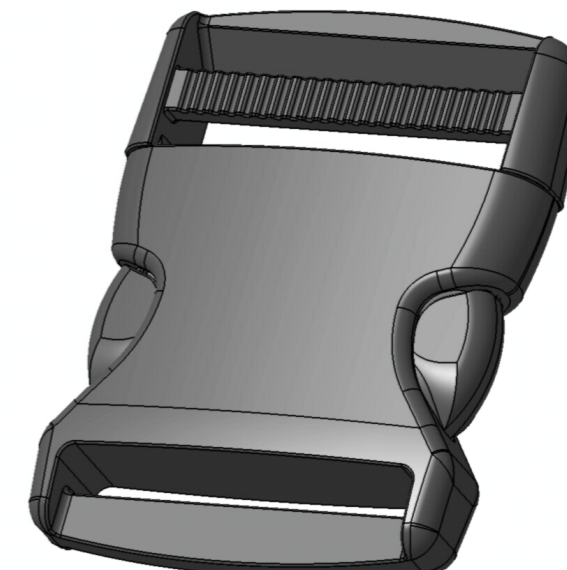


62.26 ± 0.05

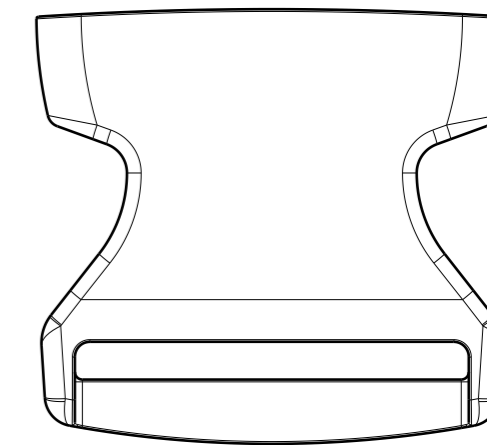
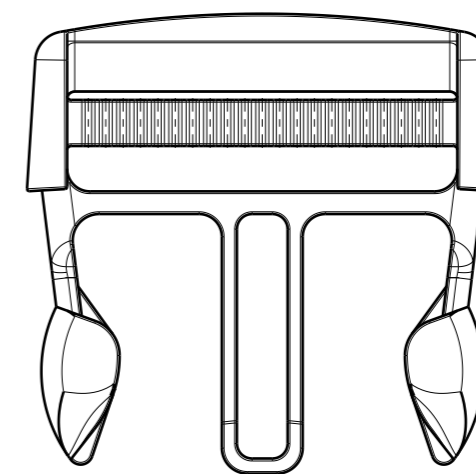
Bottom View




3D View



Back View



This drawing is our property. It can't be reproduced or communicated without our written agreement.		 SHIN FANG PLASTIC INDUSTRIAL CO., LTD.			
DRAWN BY		DATE		DRAWING TITLE	
DANIEL CHEN		1995/9/5		SIDE RELEASE BUCKLE	
CHECKED BY		DATE		SIZE	DRAWING NUMBER
JIMMY CHEN		1995/9/8		A2	SF223-51MM
DESIGNED BY		DATE		SCALE	MATERIAL
RD		1995/9		1:1	POM
				SHEET	1/1
				REV	X