

H

G

F

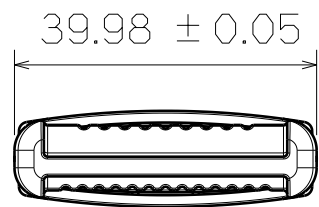
E

D

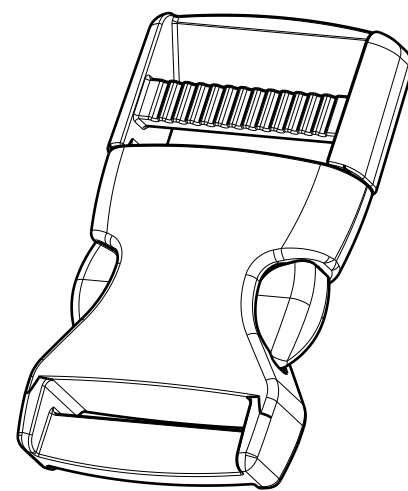
C

B

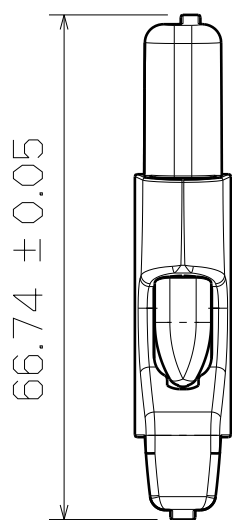
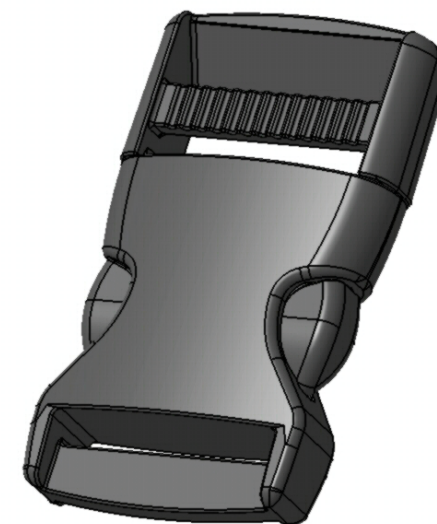
A



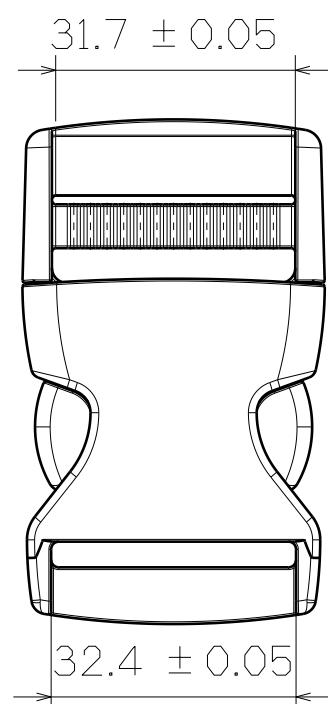
Top View



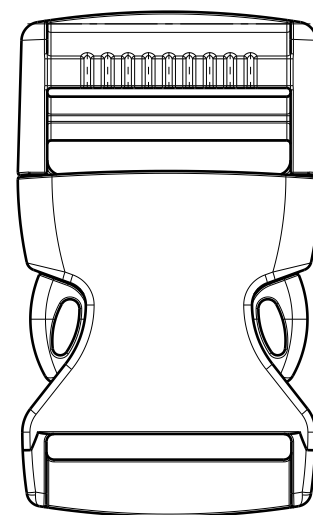
3D View



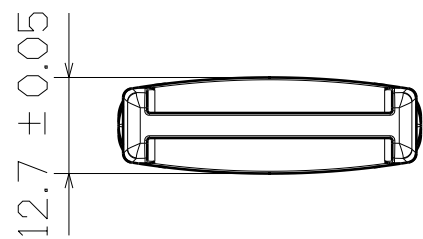
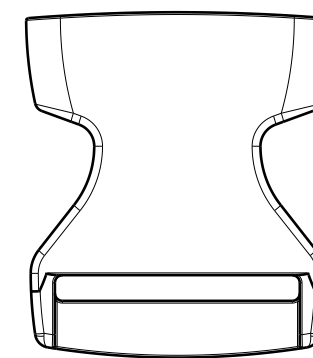
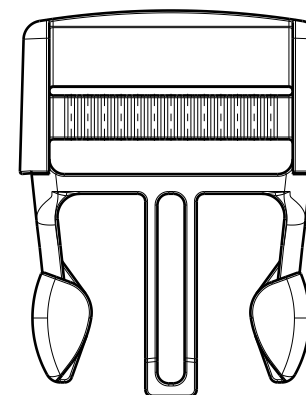
Right View



SF223-32mm



Back View



Bottom View

This drawing is our property.
It can't be reproduced
or communicated without
our written agreement.

 **SHIN FANG PLASTIC INDUSTRIAL CO., LTD.**

DRAWN BY		DATE		DRAWING TITLE			
DANIEL CHEN		1995/9/8		SIDE RELEASE BUCKLE			
CHECKED BY		DATE		SIZE	DRAWING NUMBER		REV
JIMMY CHEN		1995/9/10		A3	SF223-32MM		X
DESIGNED BY		DATE		SCALE	1:1	MATERIAL	POM
RD		1995/9		SHEET	1/1		

4

4

3

3

2

2

1

1

H

G

B

A