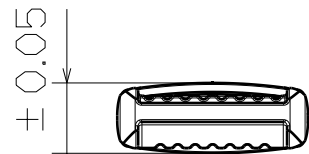
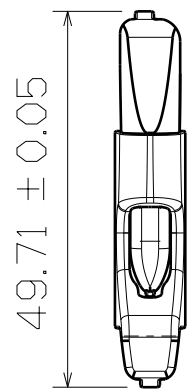


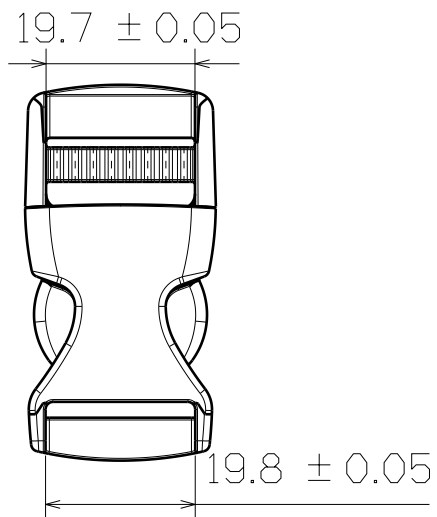
3D View



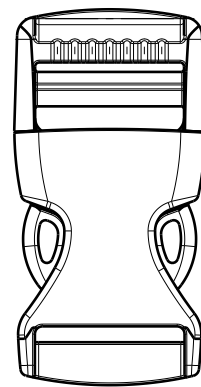
Top View



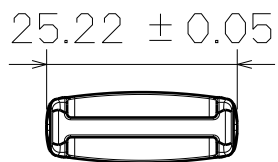
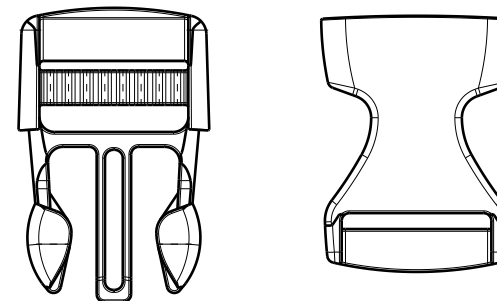
Right View



SF223-20mm



Back View



Bottom View

This drawing is our property.
It can't be reproduced
or communicated without
our written agreement.



**SHIN FANG PLASTIC
INDUSTRIAL CO., LTD.**

DRAWING TITLE

DRAWN BY	DATE
DANIEL CHEN	1995/9/5
CHECKED BY	DATE
JIMMY CHEN	1995/9/8
DESIGNED BY	DATE
RD	1995/9

SIDE RELEASE BUCKLE		REV
SIZE	DRAWING NUMBER	X
A3	SF223-20MM	
SCALE	1:1	MATERIAL
		POM
SHEET	1/1	