

H G F E D C B A

4

4

3

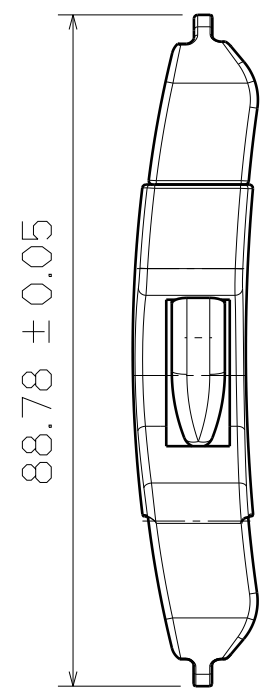
3

2

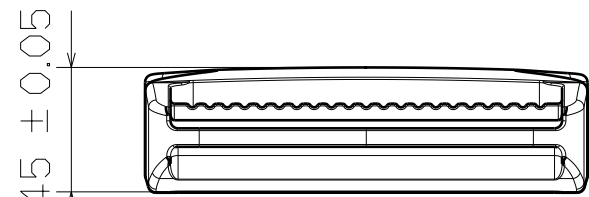
2

1

1

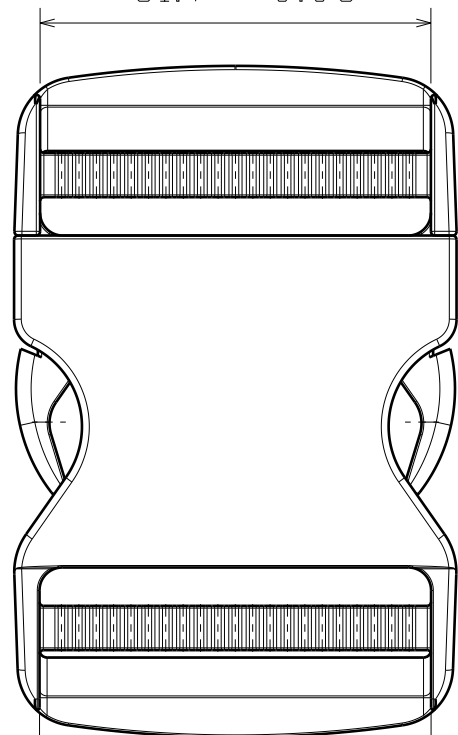


Right View



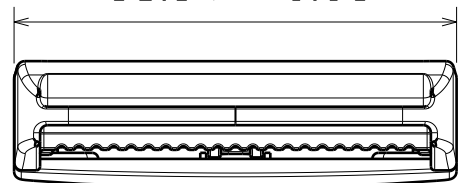
Top View

51.7 ± 0.05

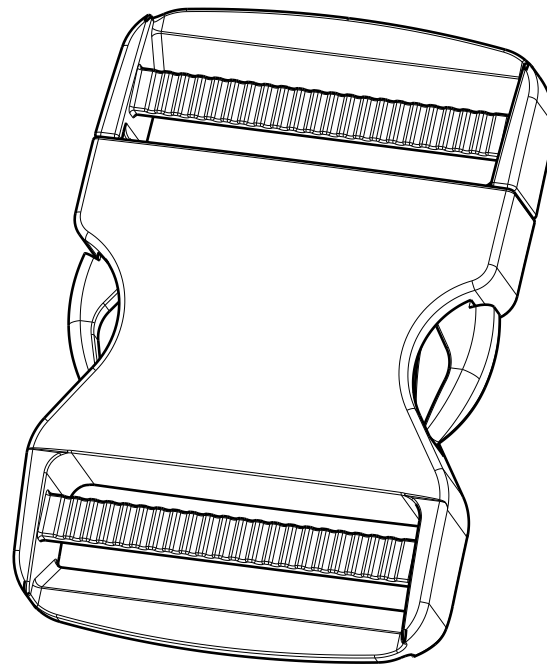


SF222-51mm

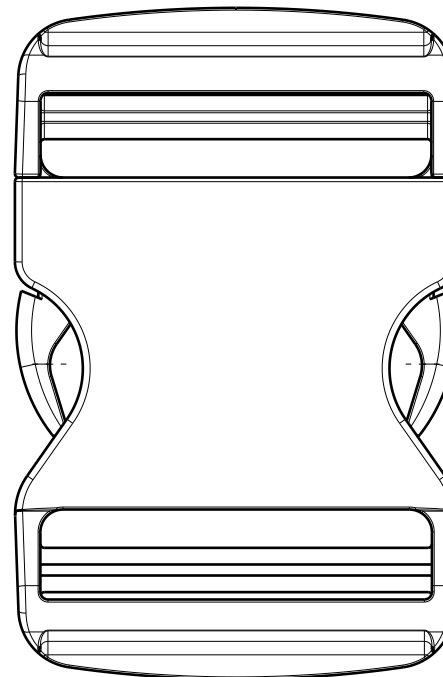
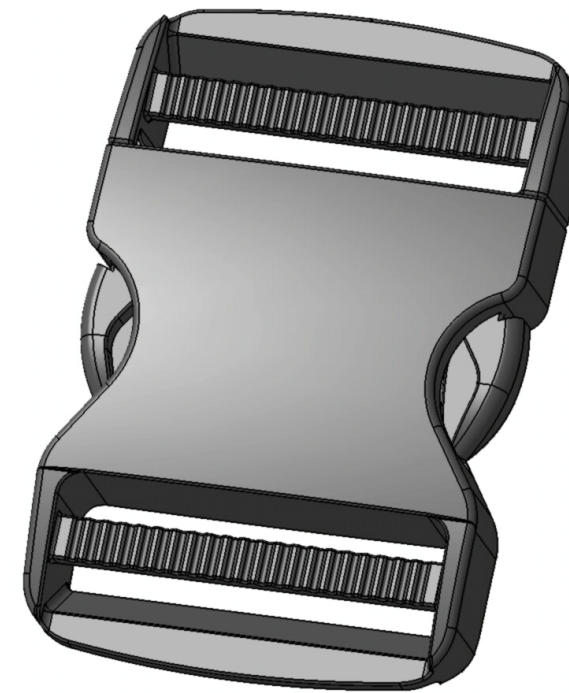
58.54 ± 0.05



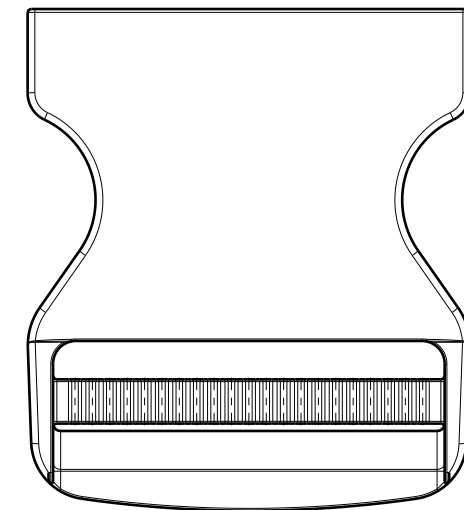
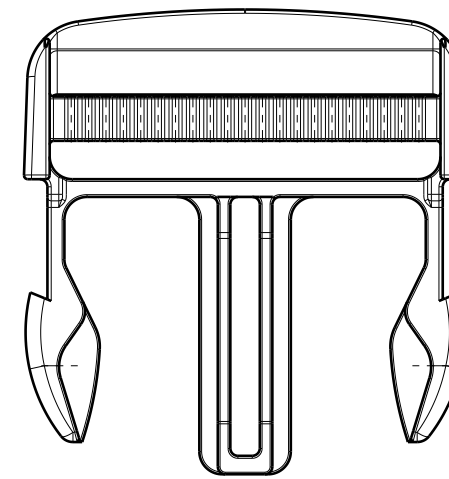
Bottom View



3D View



Back View



This drawing is our property.
It can't be reproduced
or communicated without
our written agreement.

 **SHIN FANG PLASTIC INDUSTRIAL CO., LTD.**

DRAWN BY	DATE
DANIEL CHEN	1995/9/5
CHECKED BY	DATE
JIMMY CHEN	1995/9/8
DESIGNED BY	DATE
RD	1995/9

DRAWING TITLE			
CAMBER DUAL ADJUSTABLE SIDE RELEASE BUCKLE			
SIZE	DRAWING NUMBER	REV	
A3	SF222-51MM	X	
SCALE	1:1	MATERIAL	POM SHEET
		1/1	

H G F E D C B A