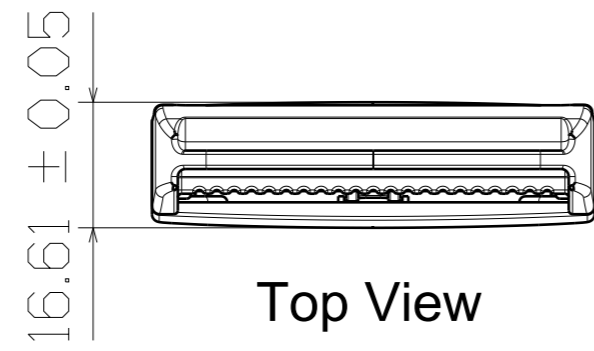
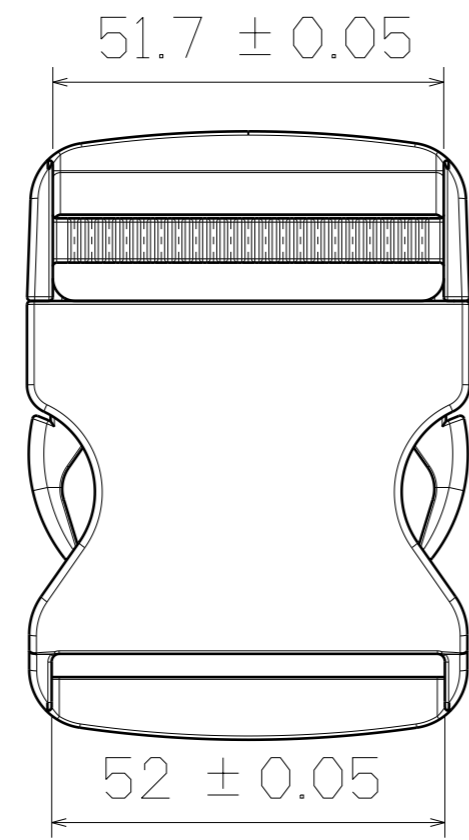


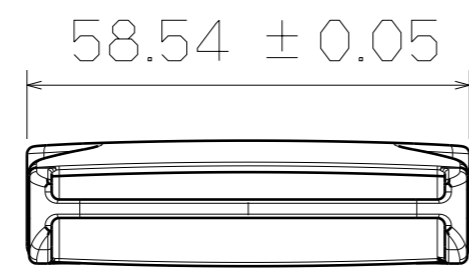
Right View



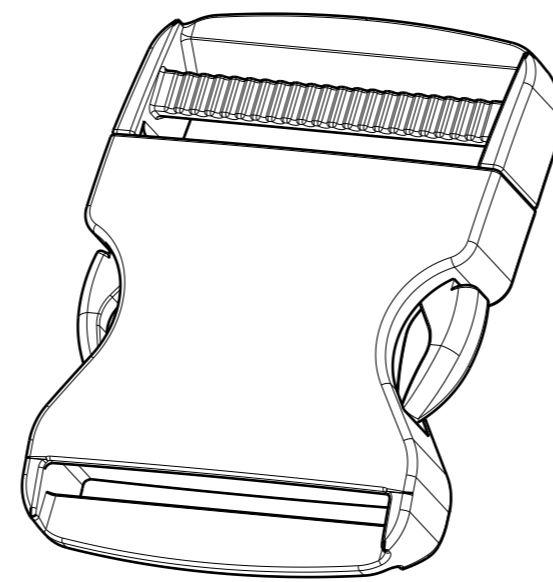
Top View



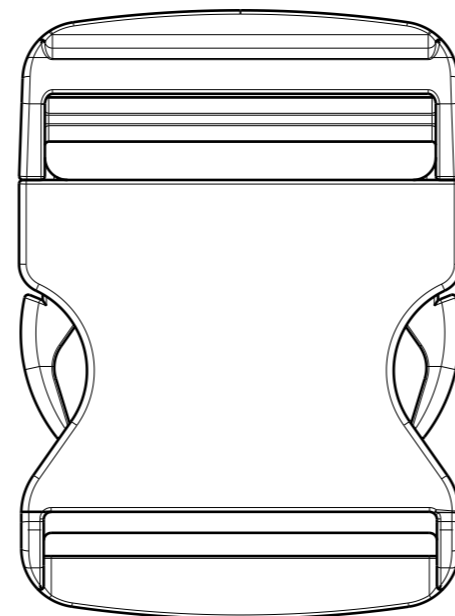
SF221-51mm



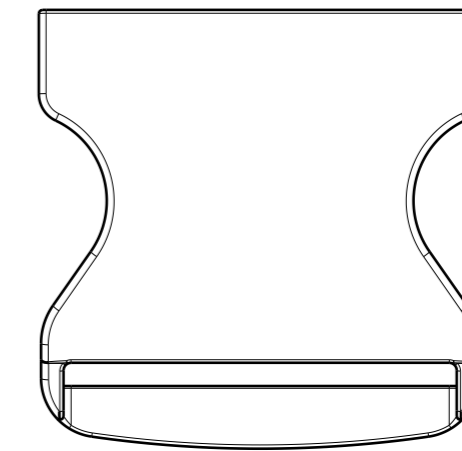
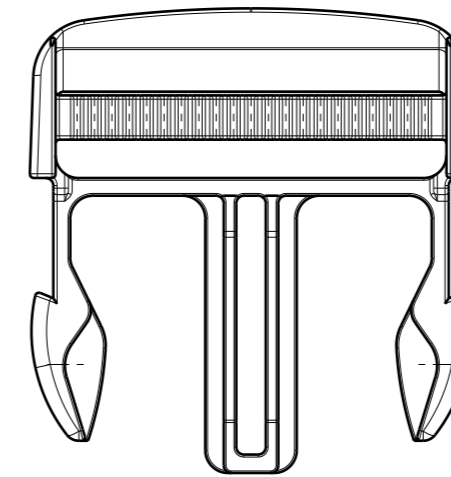
Bottom View



3D View



Back View



This drawing is our property.
It can't be reproduced
or communicated without
our written agreement.



**SHIN FANG PLASTIC
INDUSTRIAL CO., LTD.**

DRAWING TITLE

| | |
|-------------|-----------|
| DRAWN BY | DATE |
| DANIEL CHEN | 1995/9/5 |
| CHECKED BY | DATE |
| JIMMY CHEN | 1995/9/10 |
| DESIGNED BY | DATE |
| RD | 1995/9 |

| | | |
|-------|----------------|----------|
| SIZE | DRAWING NUMBER | REV |
| A2 | SF221-51MM | X |
| SCALE | 1:1 | MATERIAL |
| POM | SHEET | 1/1 |