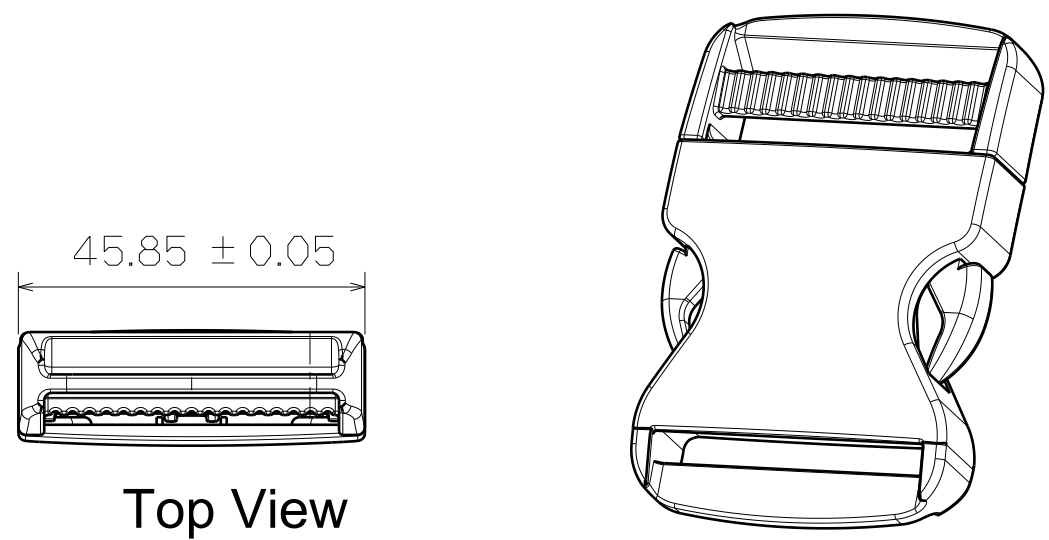


H G F E D C B A

4

4

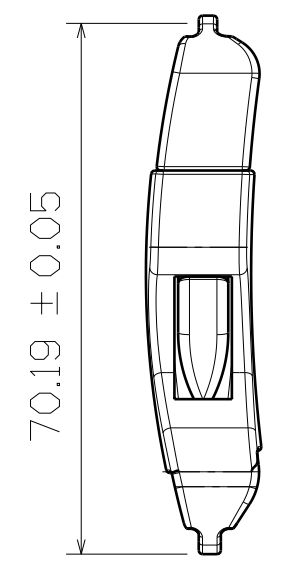


Top View

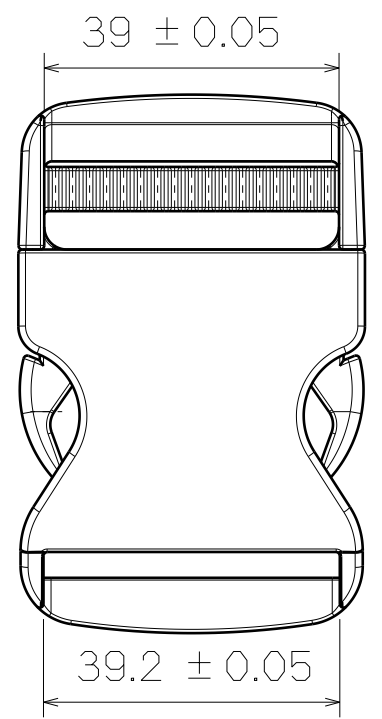
3D View

3

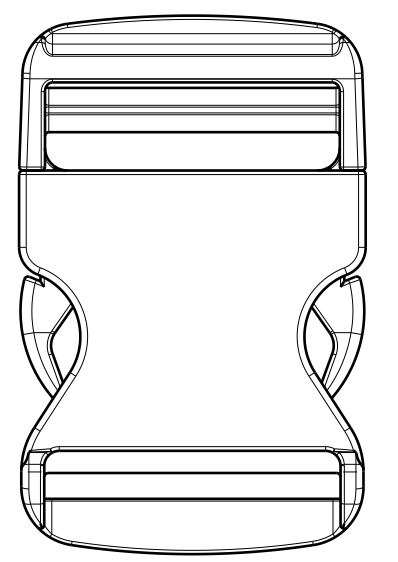
3



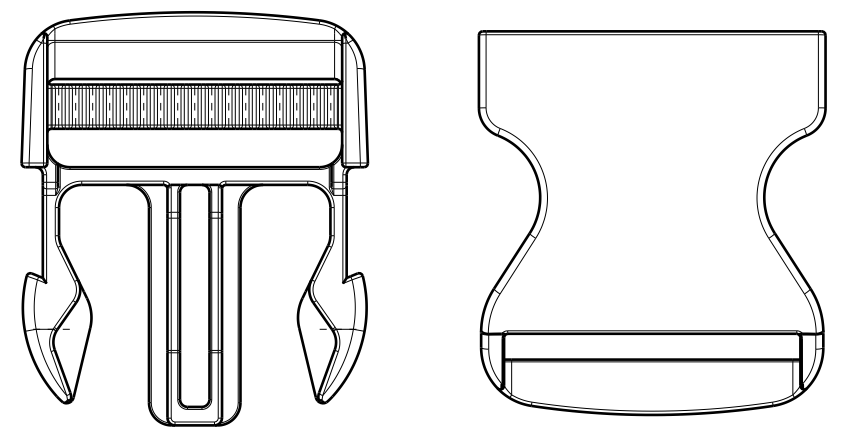
Right View



SF221-38mm

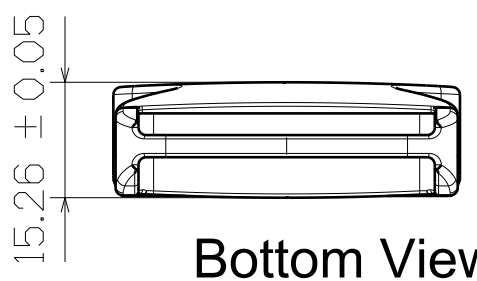


Back View



2

2



Bottom View

This drawing is our property.
It can't be reproduced
or communicated without
our written agreement.



**SHIN FANG PLASTIC
INDUSTRIAL CO., LTD.**

DRAWN BY	DATE
DANIEL CHEN	1995/9/5
CHECKED BY	DATE
JIMMY CHEN	1995/9/7
DESIGNED BY	DATE
RD	1995/9

DRAWING TITLE			
CAMBER SIDE RELEASE BUCKLE			
SIZE	DRAWING NUMBER	REV	
A3	SF221-38MM	X	
SCALE	1:1	MATERIAL	POM
SHEET	1/1		

H G F E D C B A

1

1