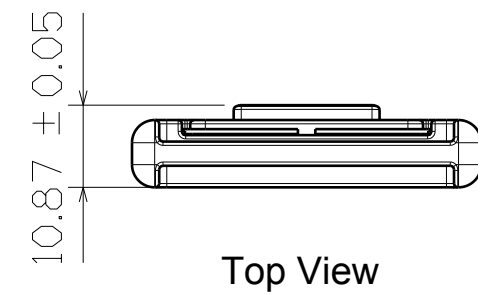
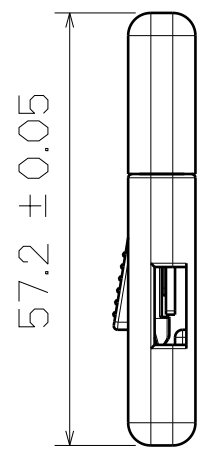


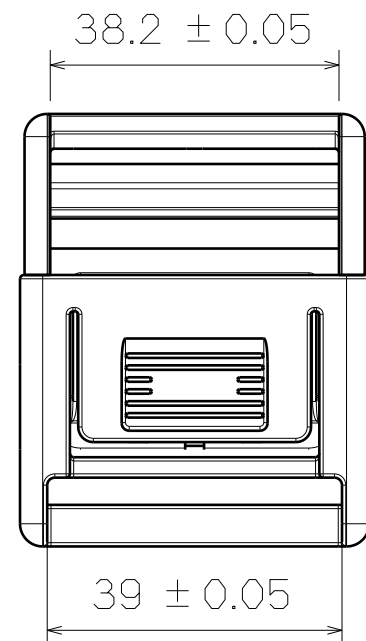
3D View



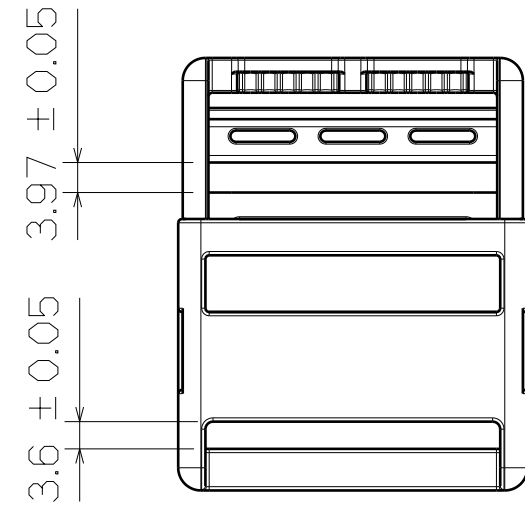
Top View



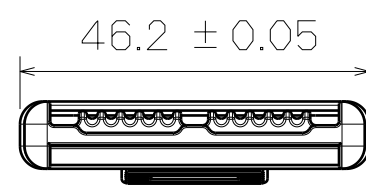
Right View



SF219-38mm



Back View



Bottom View

This drawing is our property.
It can't be reproduced
or communicated without
our written agreement.



**SHIN FANG PLASTIC
INDUSTRIAL CO., LTD.**

DRAWN BY	DATE
BRIAN CHEN	1998/8/18
CHECKED BY	DATE
JIMMY CHEN	1998/8/19
DESIGNED BY	DATE
RD	1998/8

DRAWING TITLE				
Center Release Buckle				
SIZE	DRAWING NUMBER			REV
A3	SF219-38mm			X
SCALE	1:1	MATERIAL	POM	SHEET
				1/1