

H G F E D C B A

4

4

3

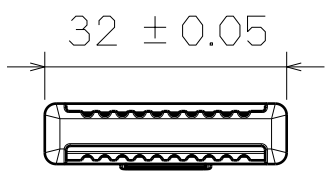
3

2

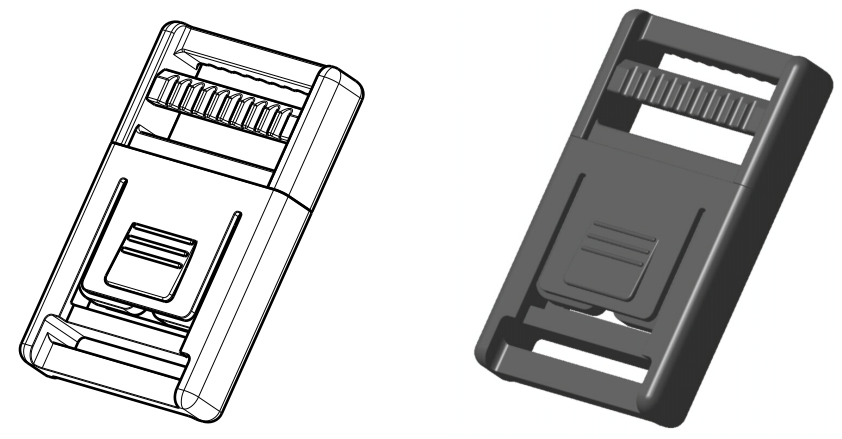
2

1

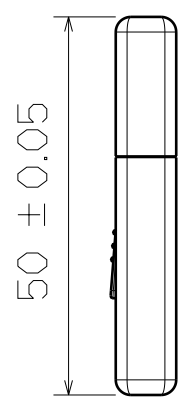
1



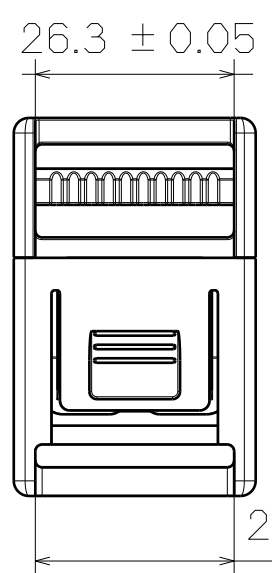
Top View



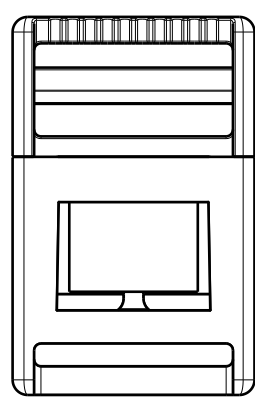
3D View



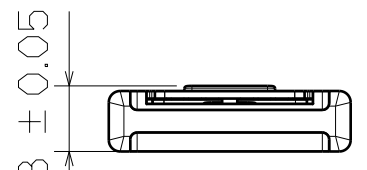
Right View



SF219-25mm



Back View



Bottom View

This drawing is our property.
It can't be reproduced
or communicated without
our written agreement.



**SHIN FANG PLASTIC
INDUSTRIAL CO., LTD.**

DRAWN BY		DATE	DRAWING TITLE		
DANIEL CHEN		1998/8/4	CENTER RELEASE BUCKLE		
CHECKED BY		DATE	SIZE	DRAWING NUMBER	REV
JIMMY CHEN		1998/8/7	A3	SF219-25MM	X
DESIGNED BY		DATE	SCALE	MATERIAL	SHEET
RD		1998/8	1:1	POM	1/1

H G B A