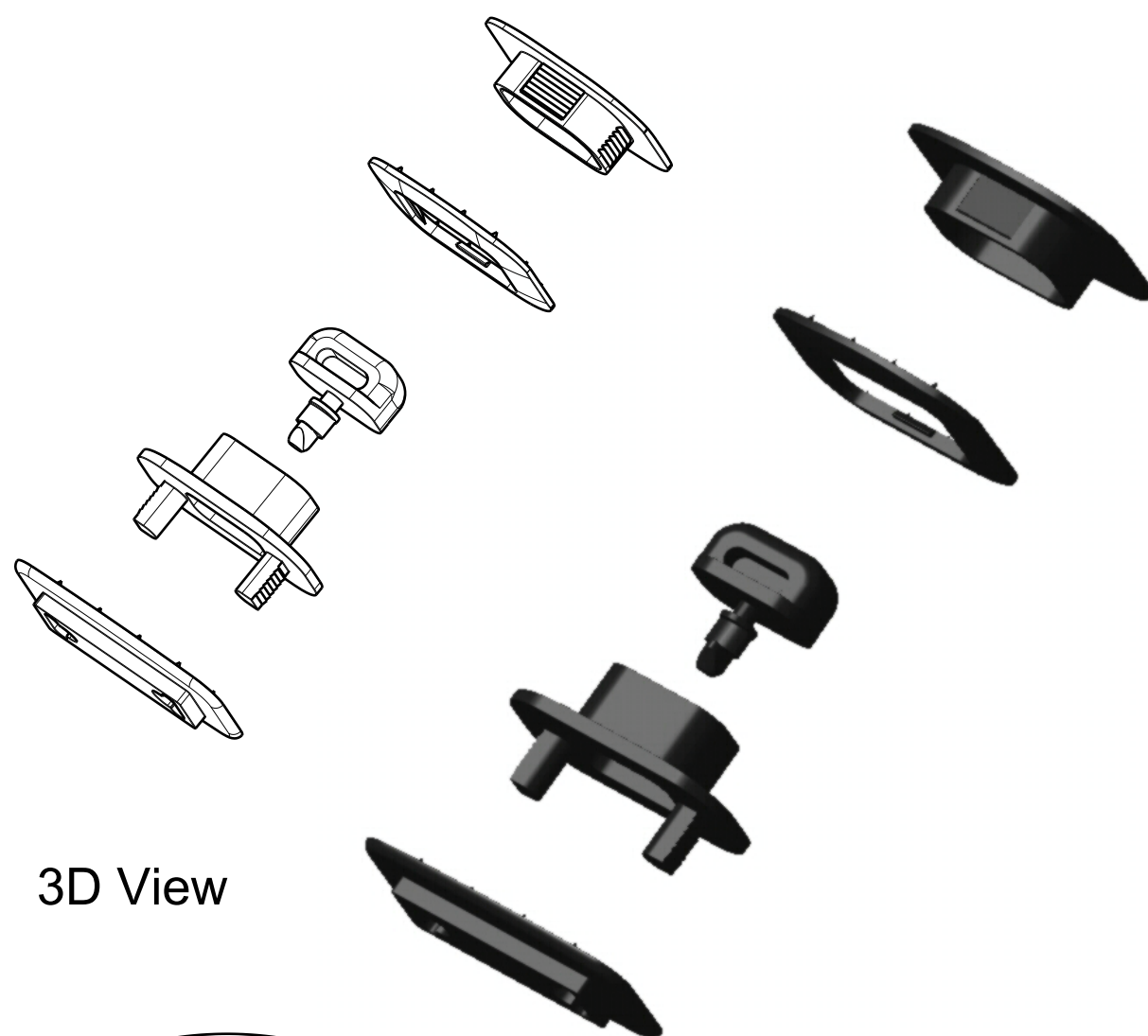
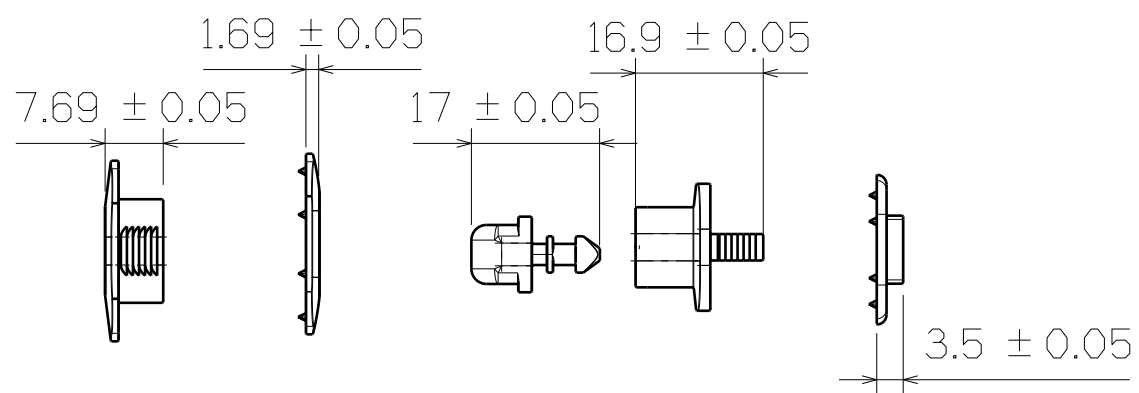


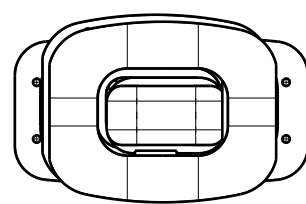
Top View



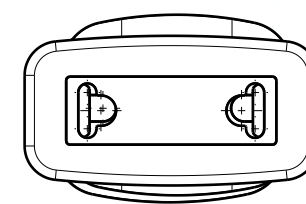
3D View




Right View



SF217



Back View

This drawing is our property. It can't be reproduced or communicated without our written agreement.		 <b>SHIN FANG PLASTIC INDUSTRIAL CO., LTD.</b>		
DRAWN BY <b>DANIEL CHEN</b>		DATE 1995/4/2		DRAWING TITLE <b>SQUARE TURN LOCK</b>
CHECKED BY <b>JIMMY CHEN</b>		DATE 1995/4/7		
DESIGNED BY <b>RD</b>		DATE 1995/4		SIZE <b>A3</b> DRAWING NUMBER <b>SF217</b> REV <b>X</b>
SCALE <b>1:1</b>		MATERIAL <b>POM</b> SHEET <b>1/1</b>		